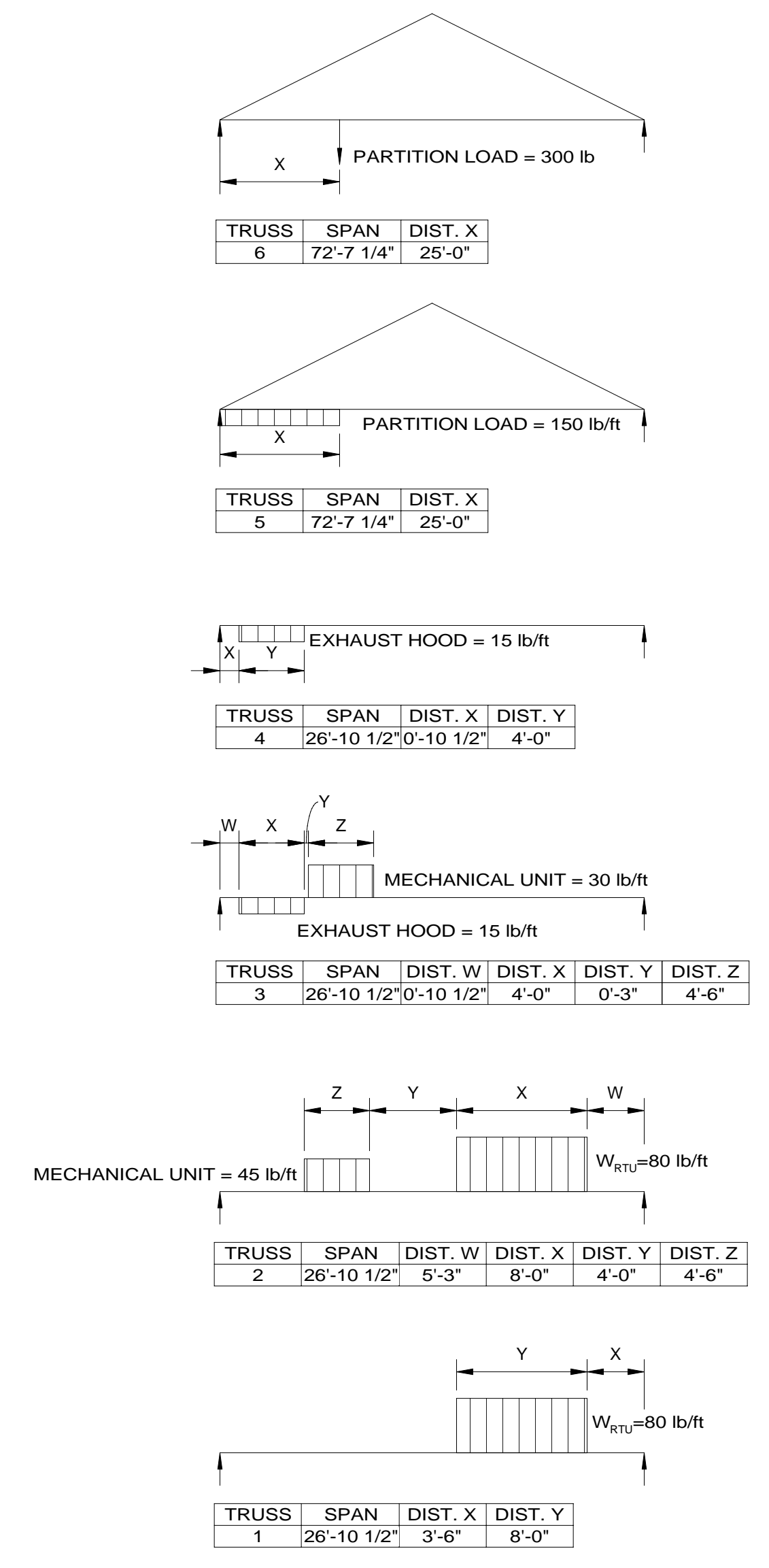
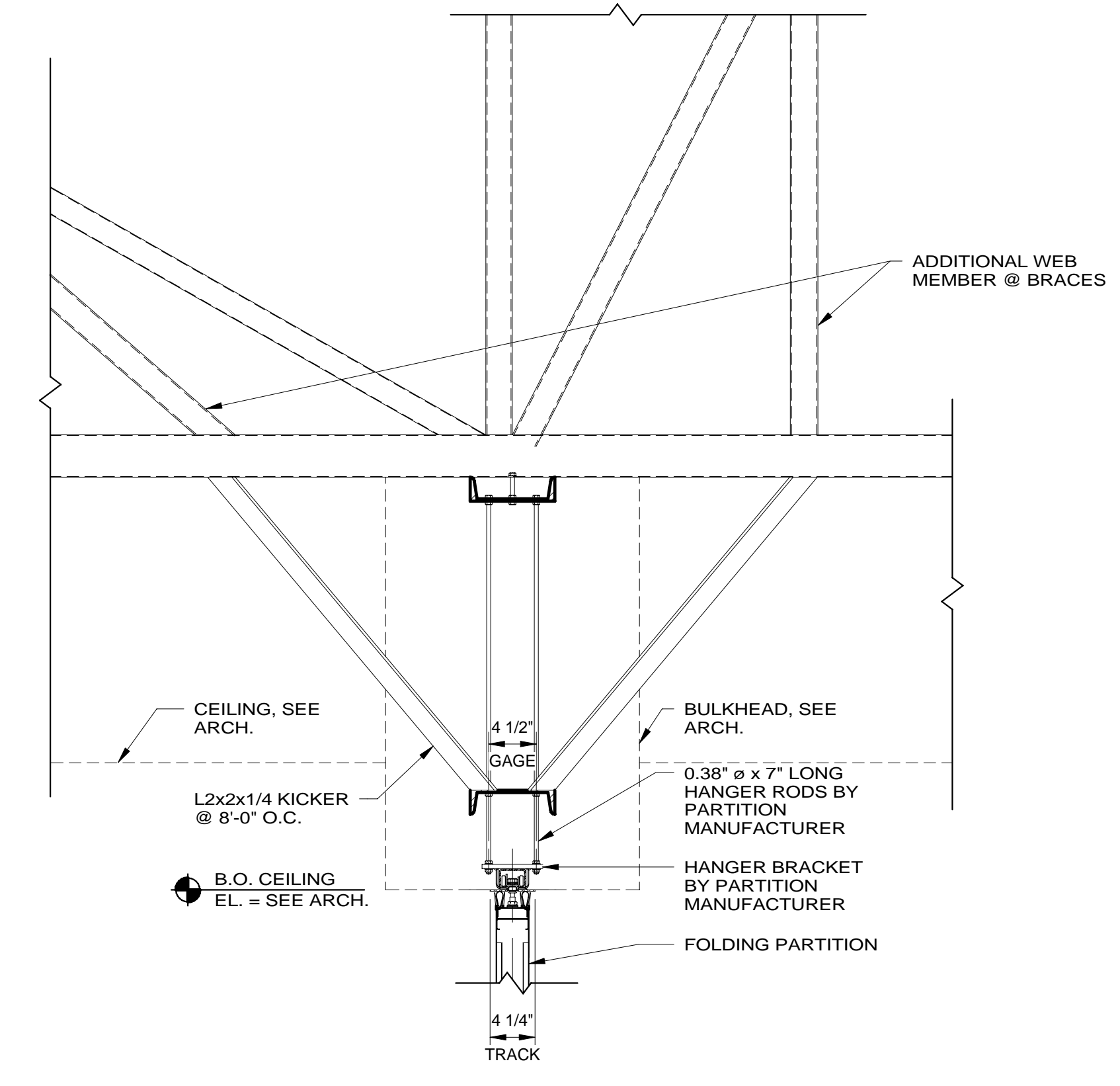


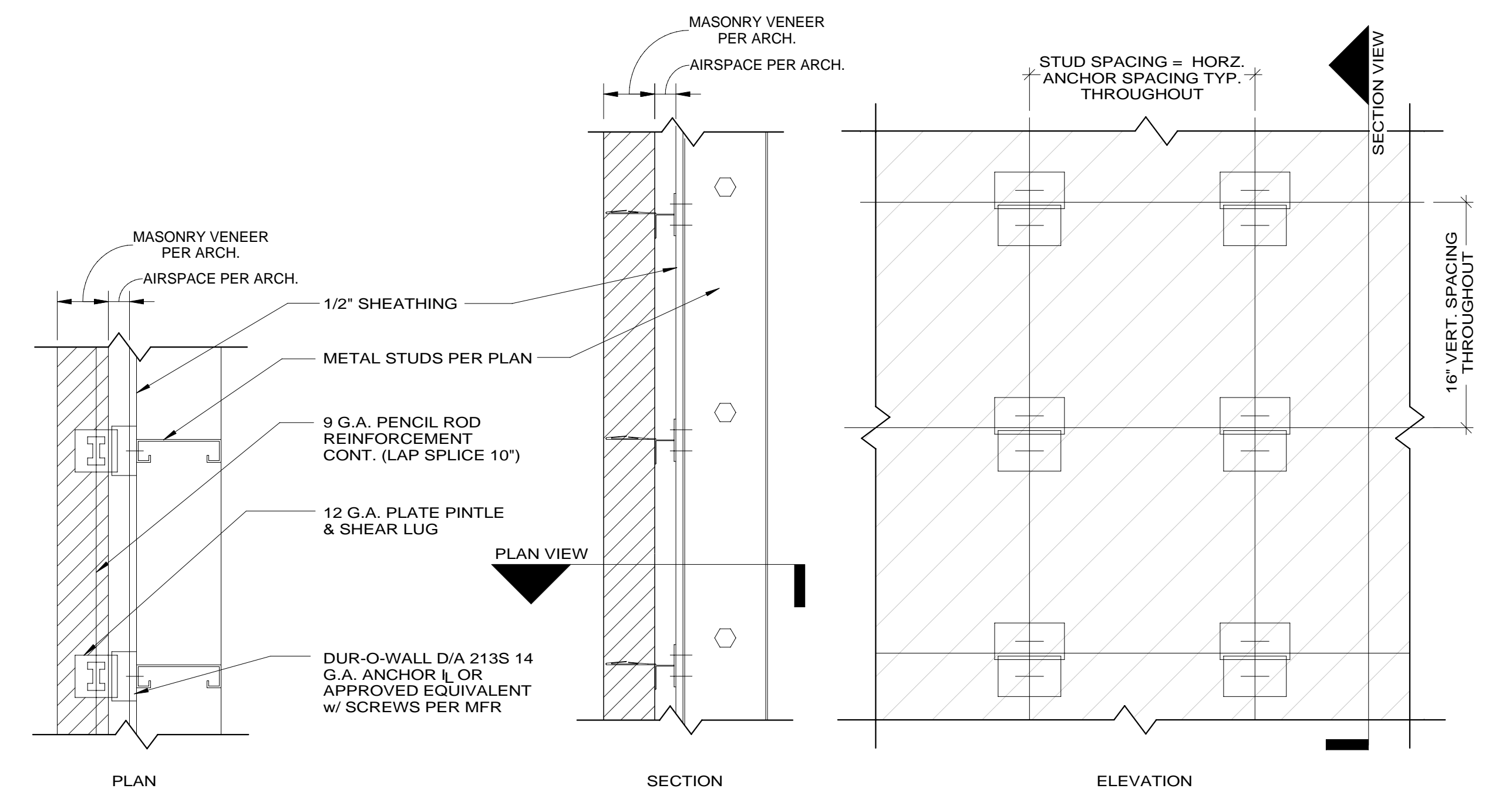
NO.	DESCRIPTION	BY	DATE



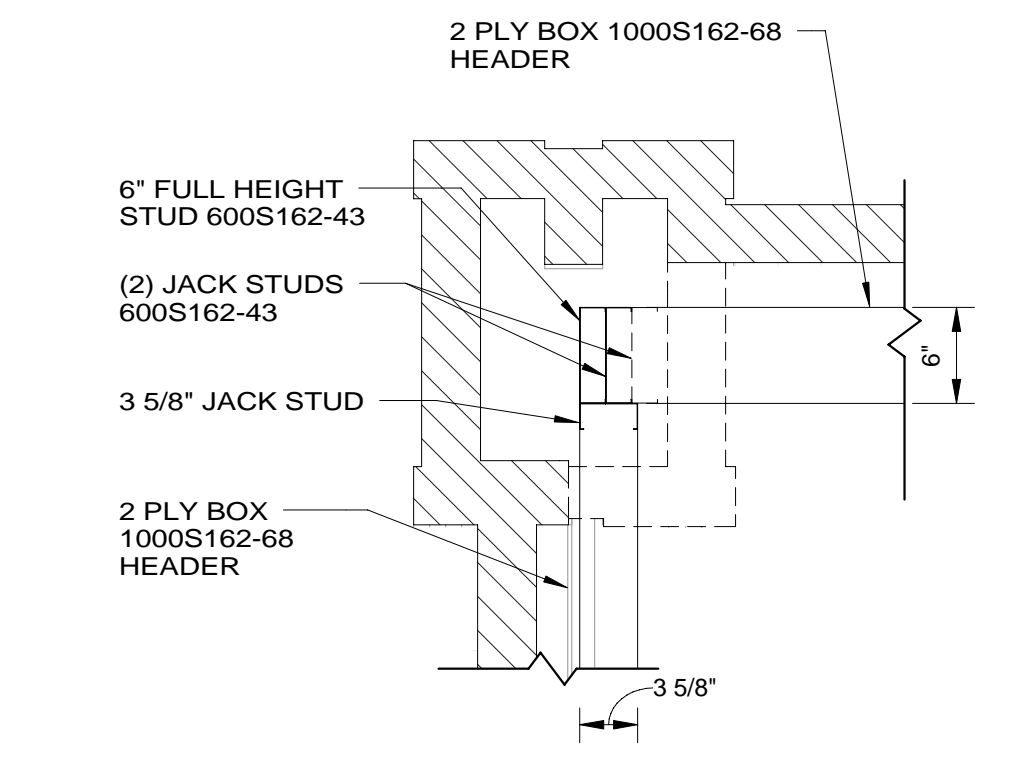
12 TRUSS LOAD DIAGRAMS  
1/2" = 1'-0"



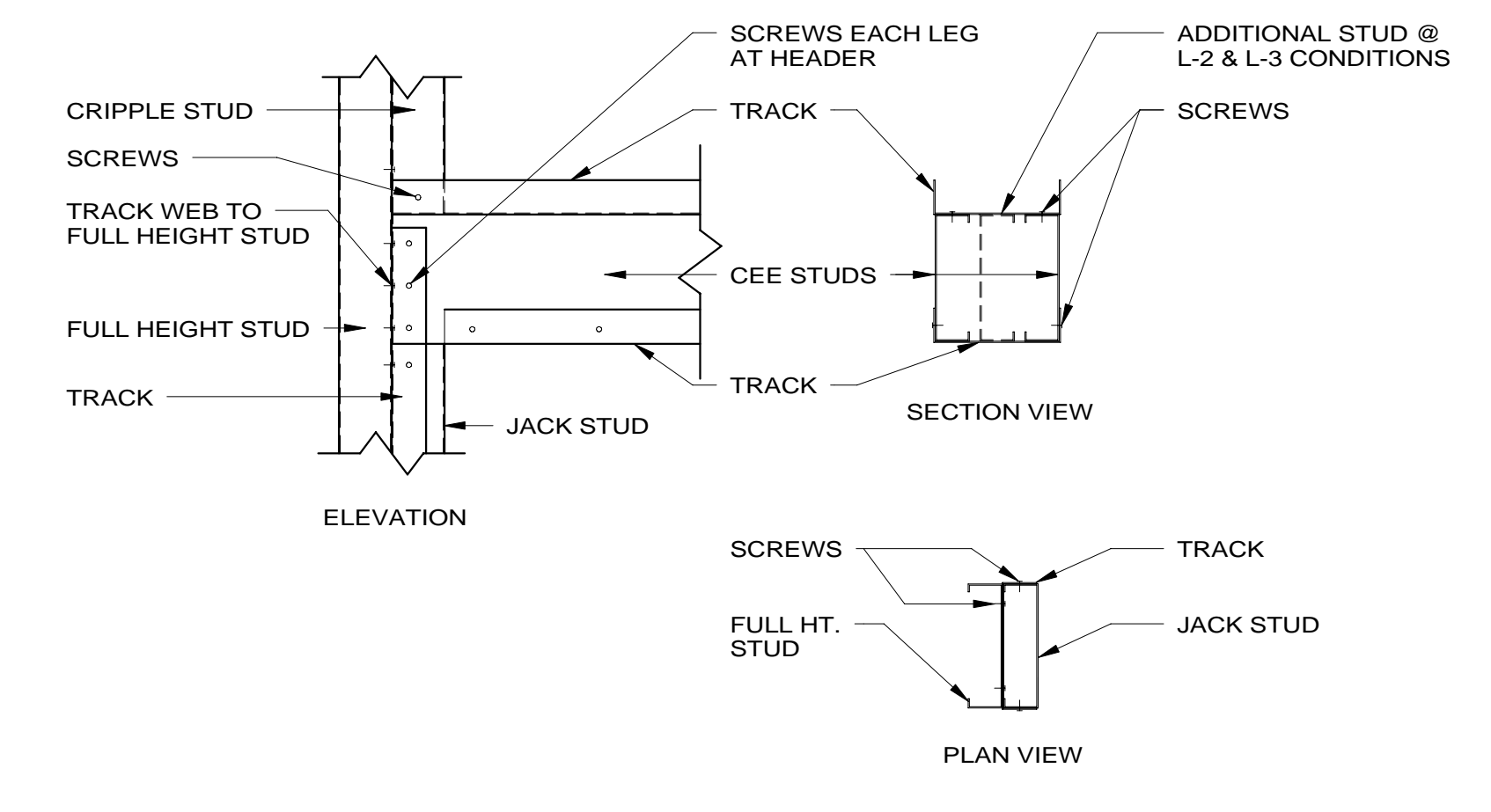
11 FOLDING PARTITION SUPPORT SECTION  
1" = 1'-0"



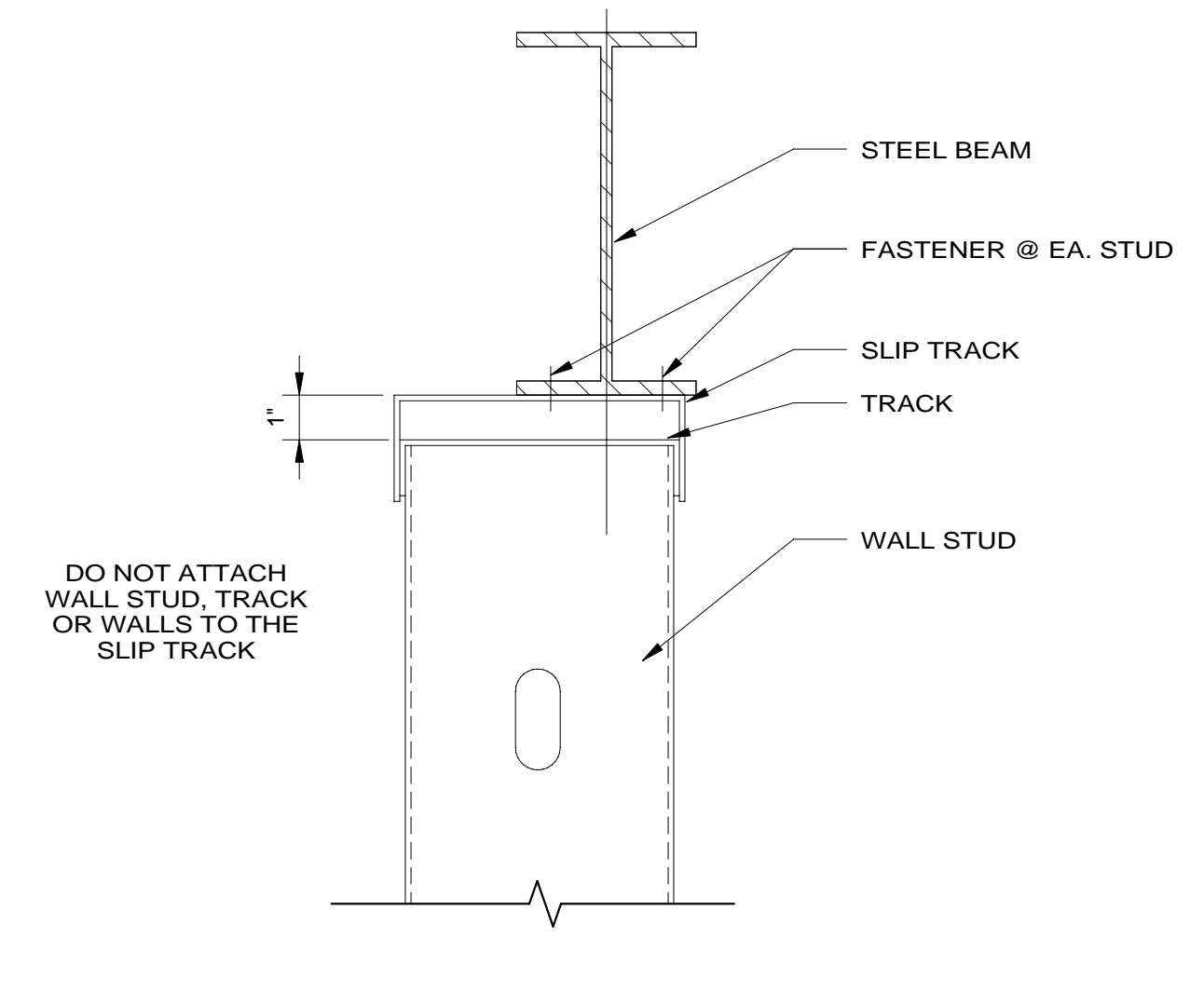
10 VENEER ANCHOR CONNECTION TO METAL STUDS  
1 1/2" = 1'-0"



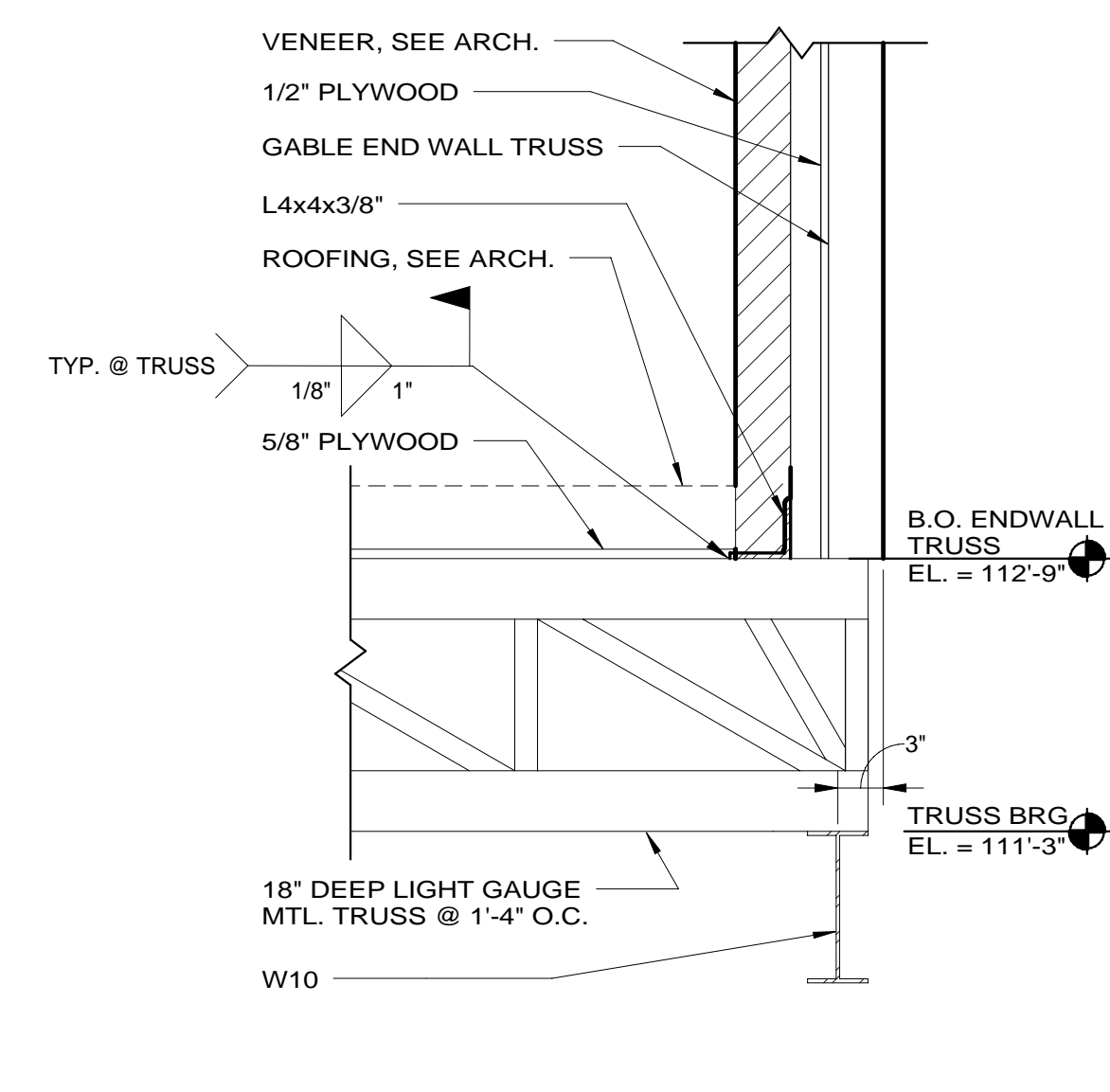
9 NORTH CANOPY FRAMING DETAIL  
1" = 1'-0"



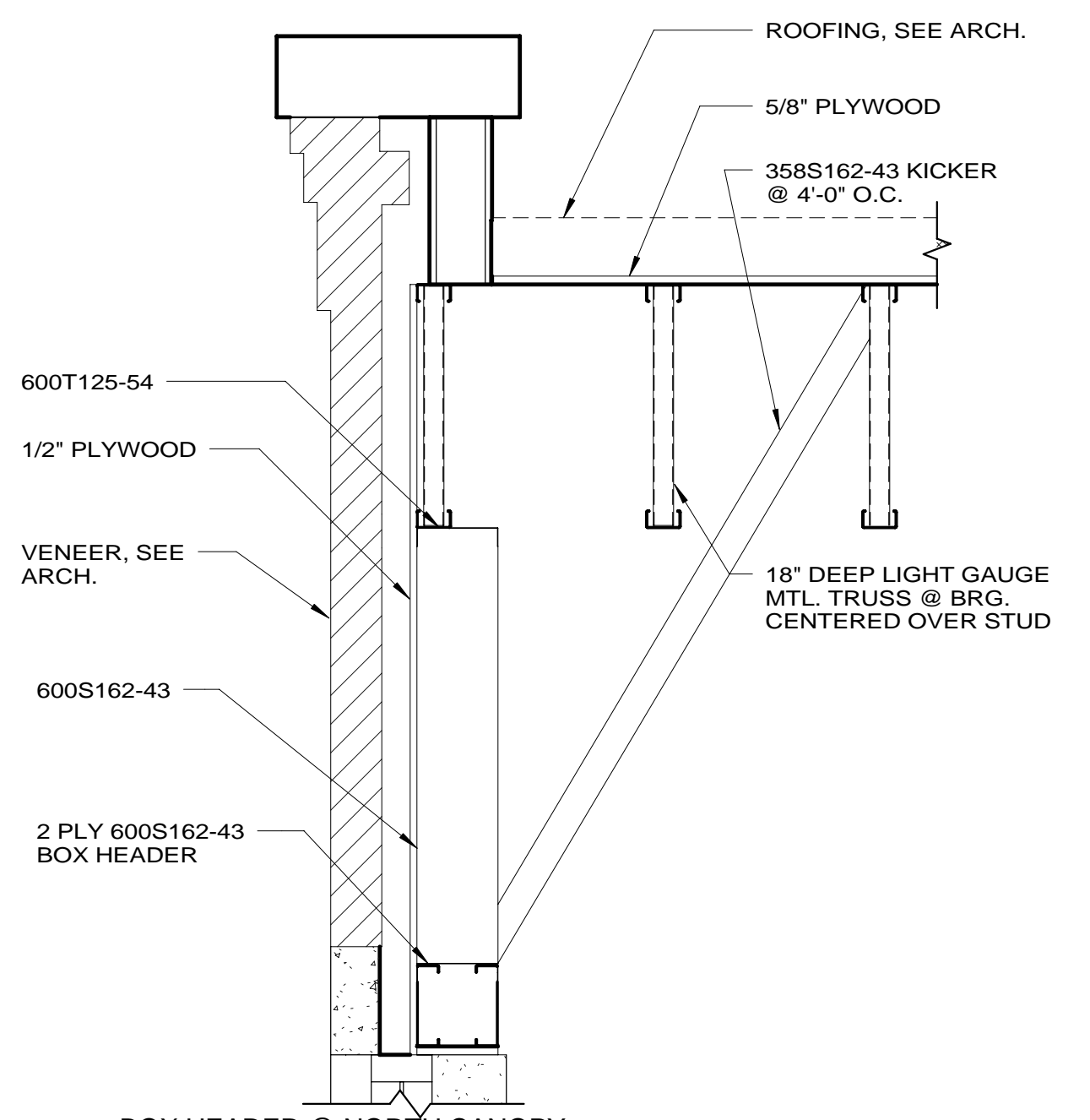
8 HEADER FRAMING DETAIL  
1 1/2" = 1'-0"



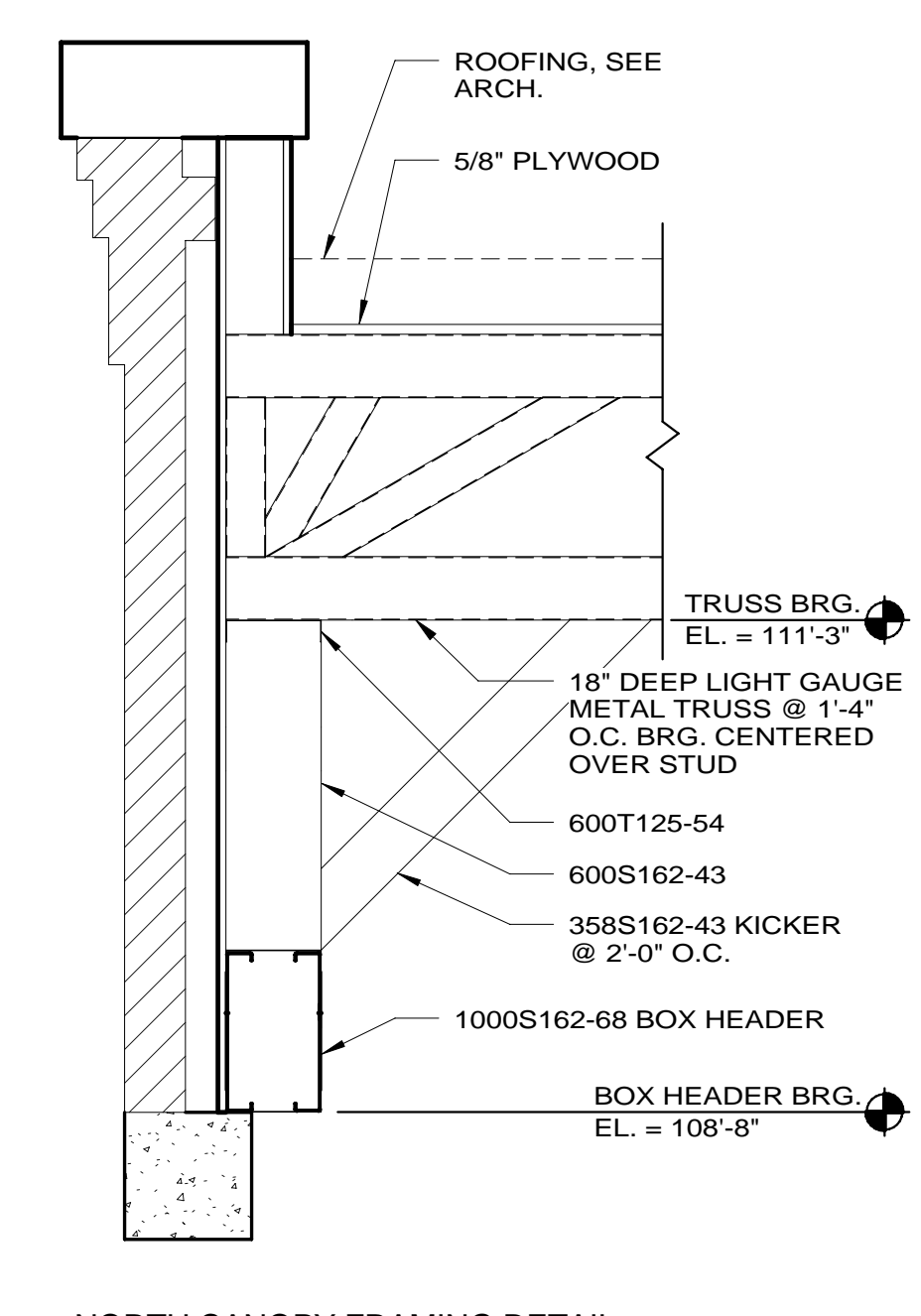
7 SLIP TRACK DETAIL  
3" = 1'-0"



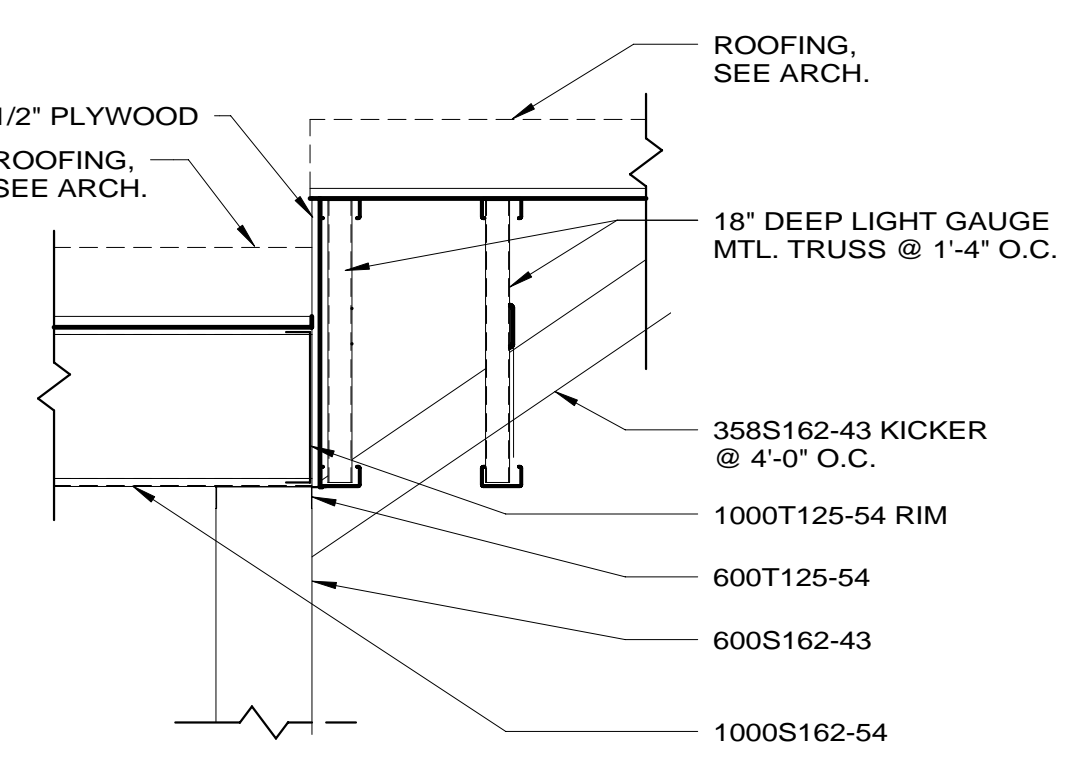
6 SECTION @ KITCHEN  
1" = 1'-0"



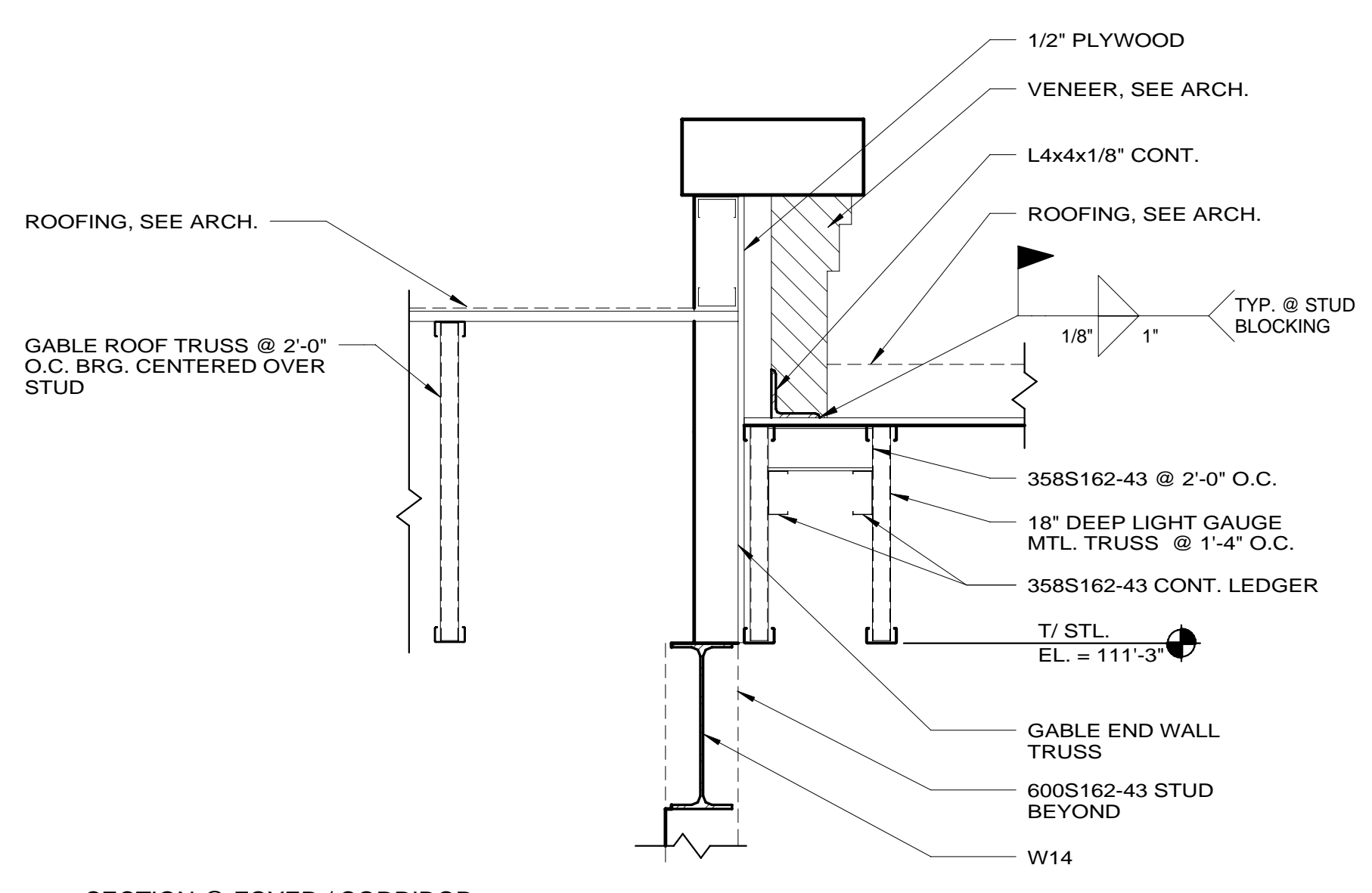
5 BOX HEADER @ NORTH CANOPY  
1" = 1'-0"



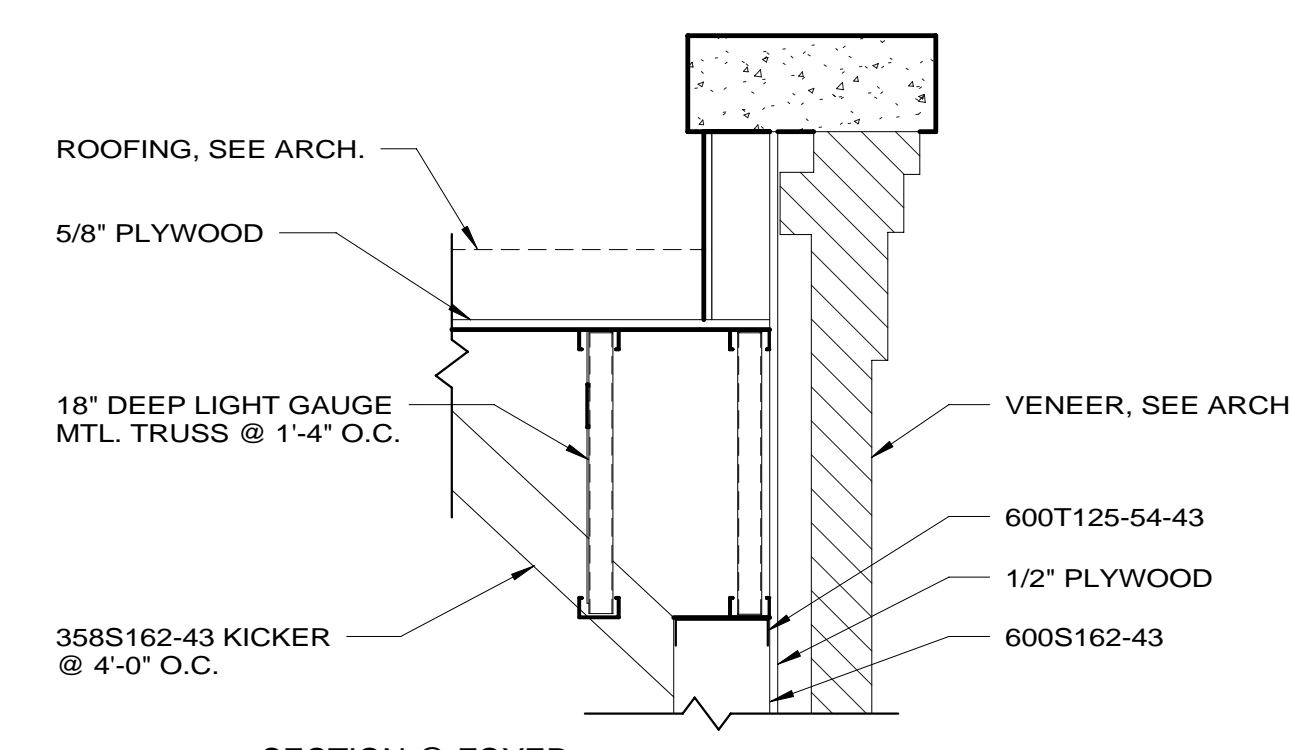
4 NORTH CANOPY FRAMING DETAIL  
1" = 1'-0"



3 BATHROOM TO CORRIDOR ROOF FRAMING DETAIL  
1" = 1'-0"



2 SECTION @ FOYER / CORRIDOR  
1" = 1'-0"



1 SECTION @ FOYER  
1" = 1'-0"