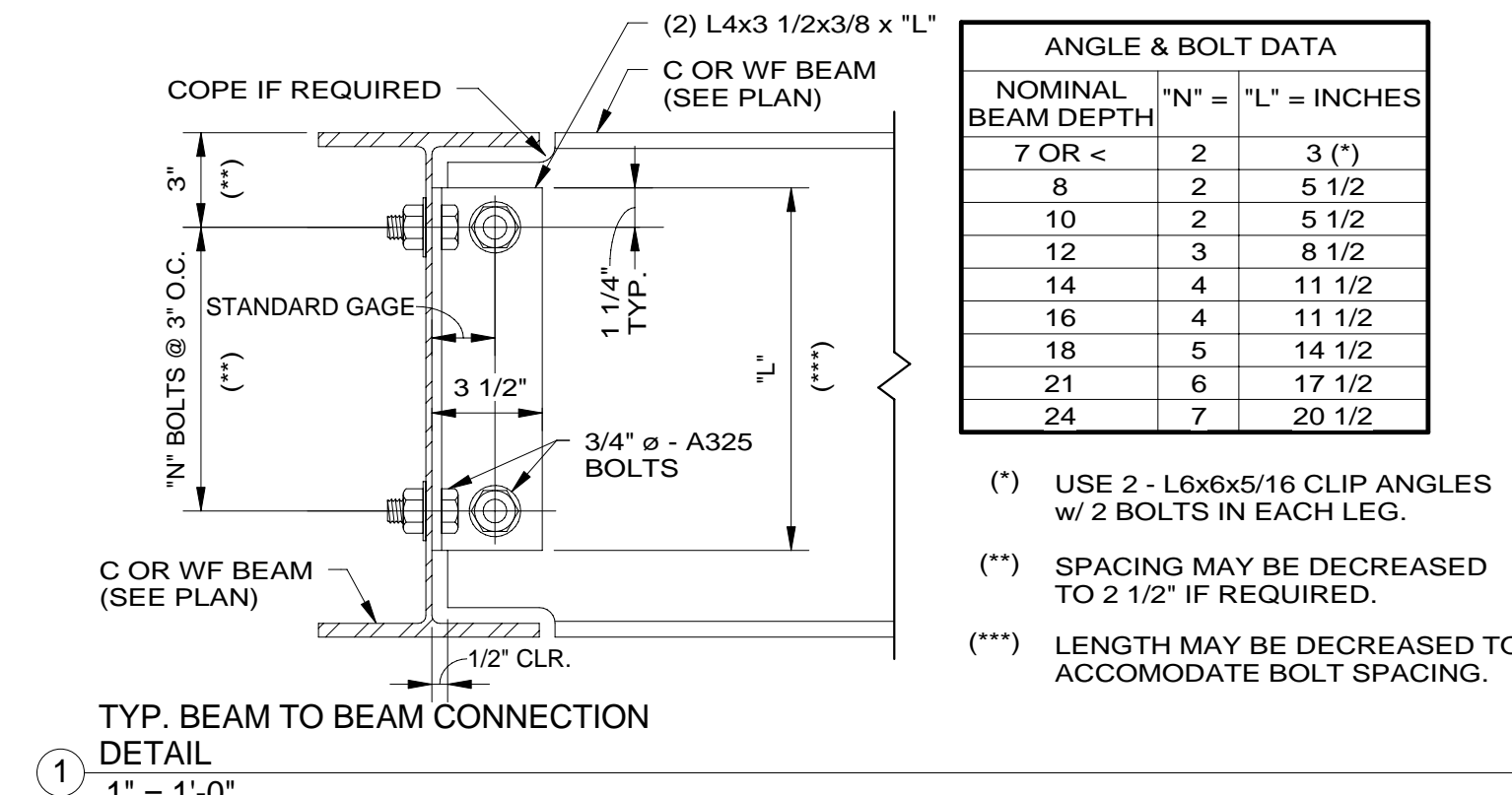
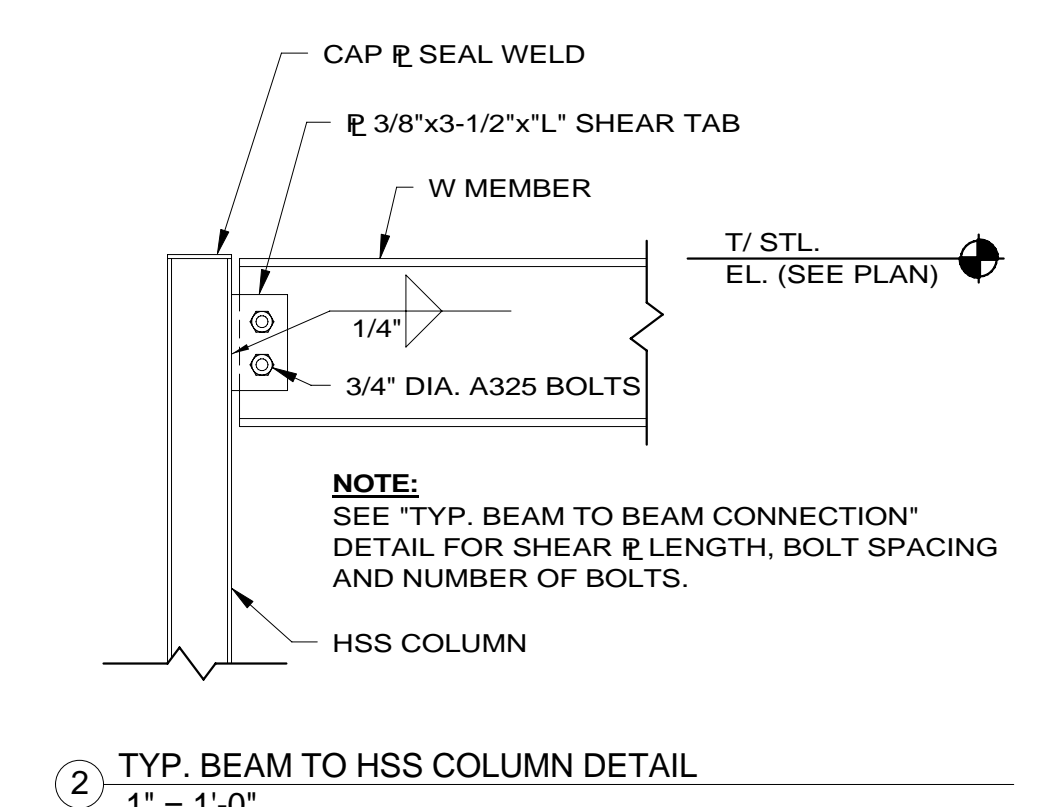
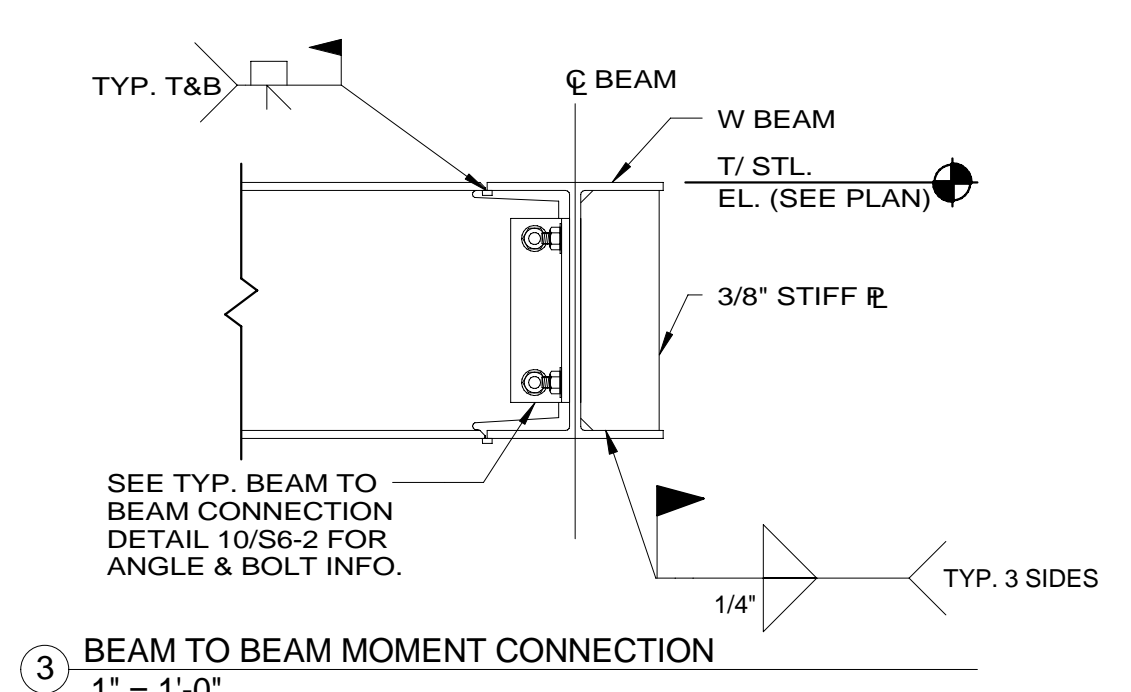
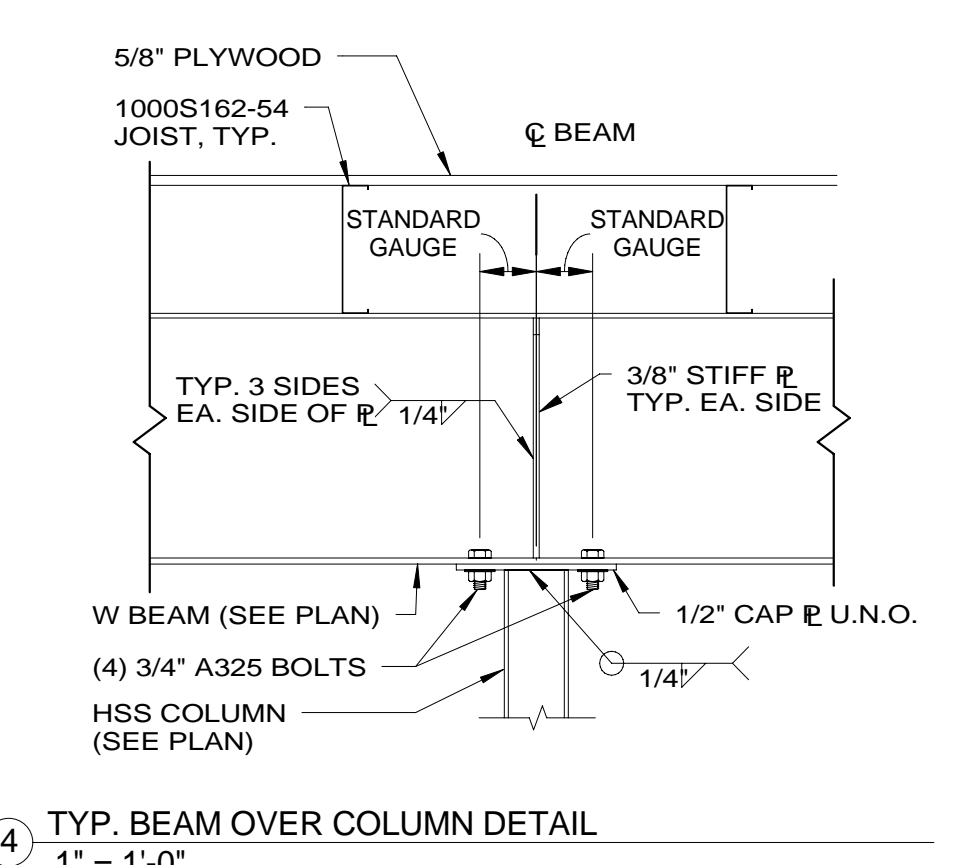
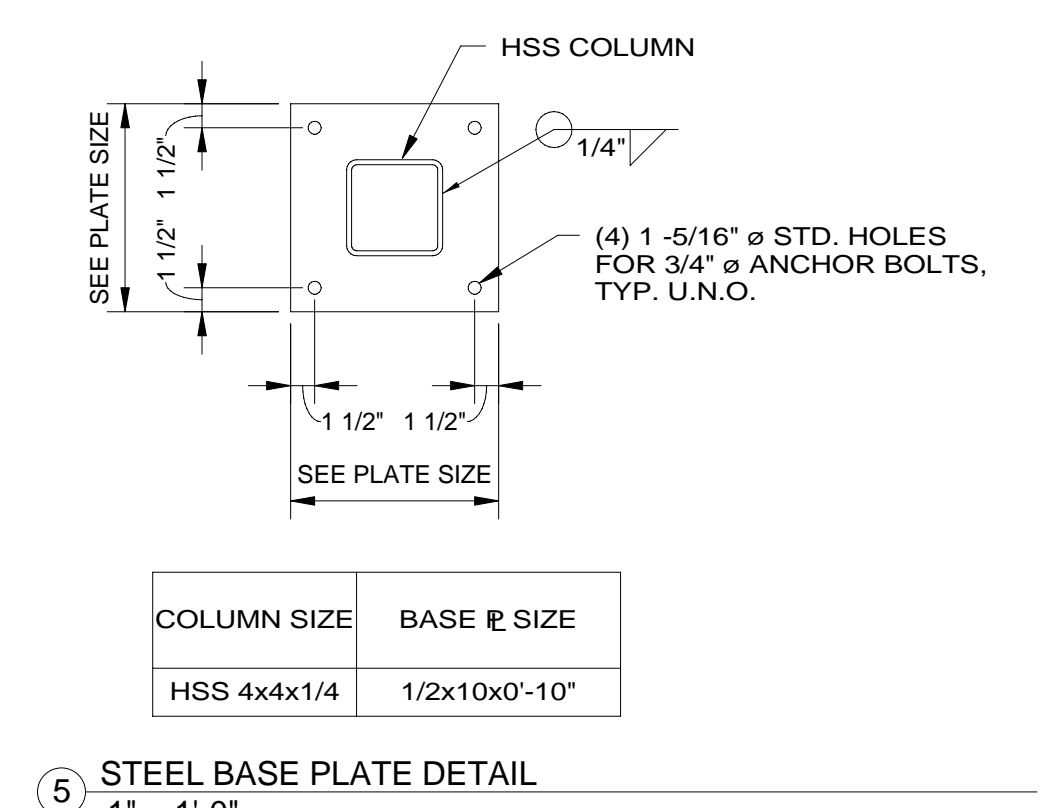
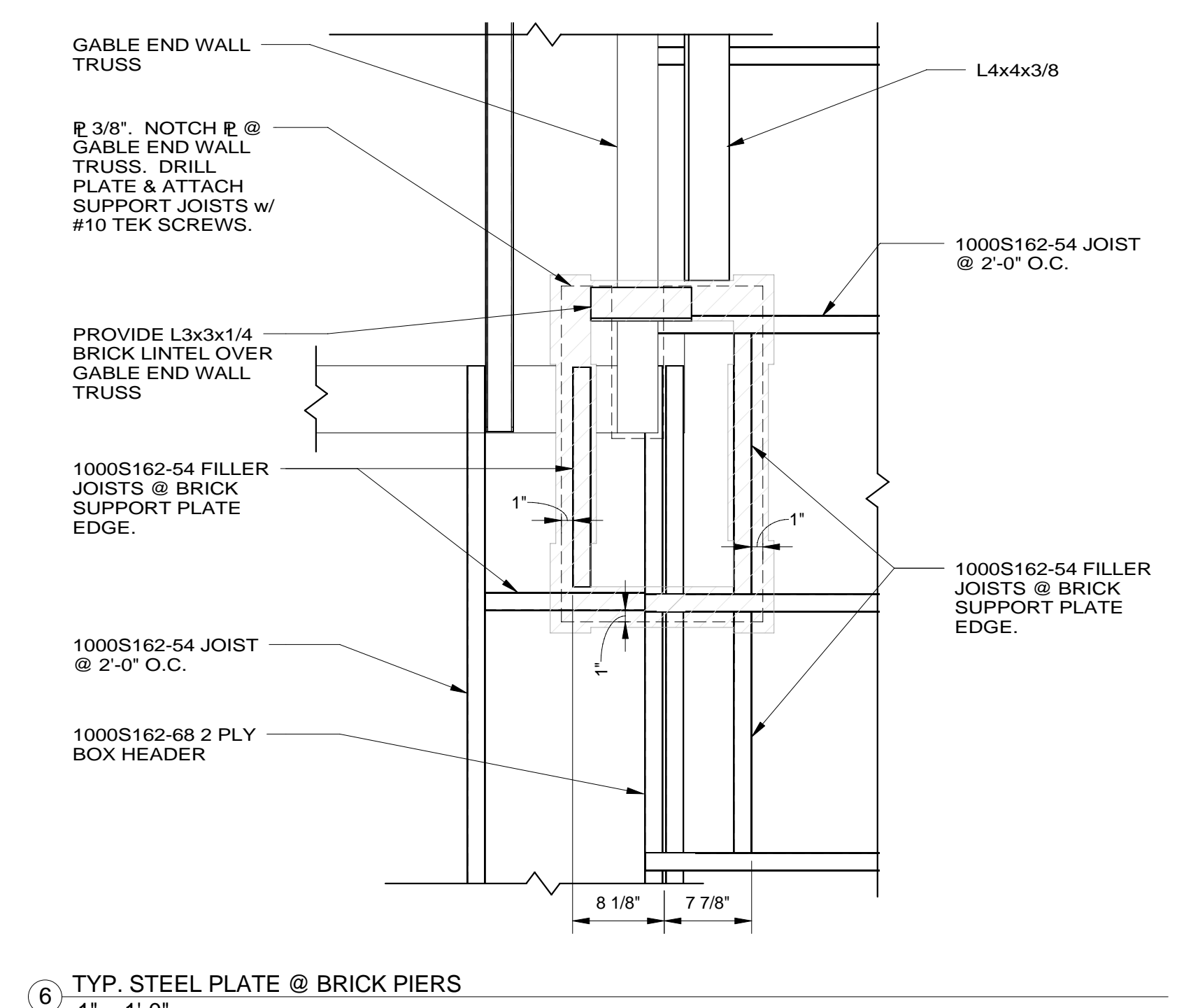
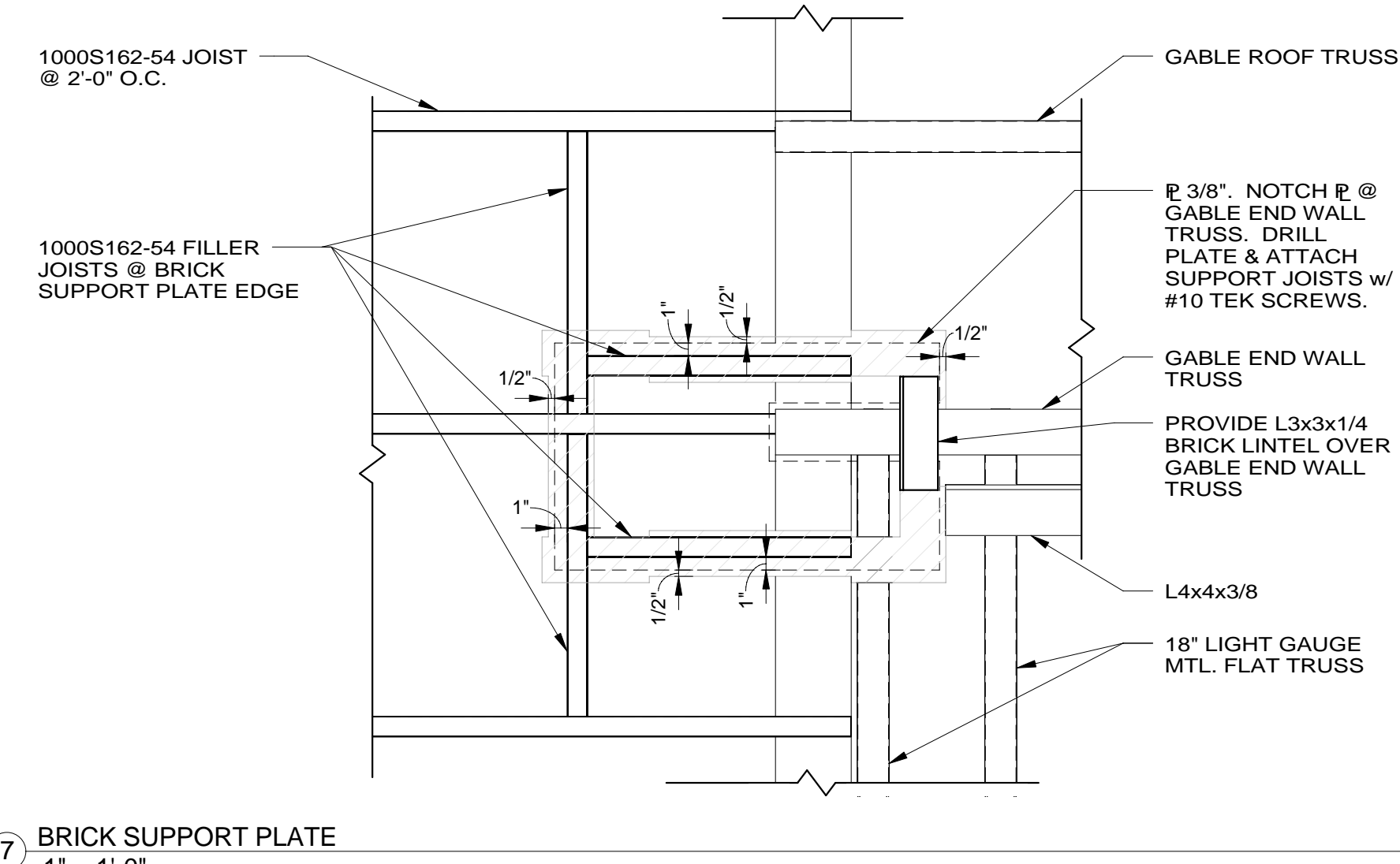


no.	description	by	date



NOTES

- SEE DWG. S0-3 FOR ADDITIONAL INFORMATION.
- REFERENCE ELEVATION 100'-0" = 556.50' CIVIL ELEVATION.
- TRUSS & JOIST BRG. ELEV. = 111'-3" U.O.
- DENOTES: T/ STL. ELEVATION, IF ONLY (1) IS SHOWN; T/ STL. ELEVATION SAME AT BOTH ENDS
- DENOTES: LIGHT METAL FRAMING

600 S 162-43 - METAL THICKNESS (1/8")
 W 8x13 - FLANGE WIDTH (11 1/2")
 DEPTH (11 1/2")
 MEMBER TYPE (I-TRUSS)