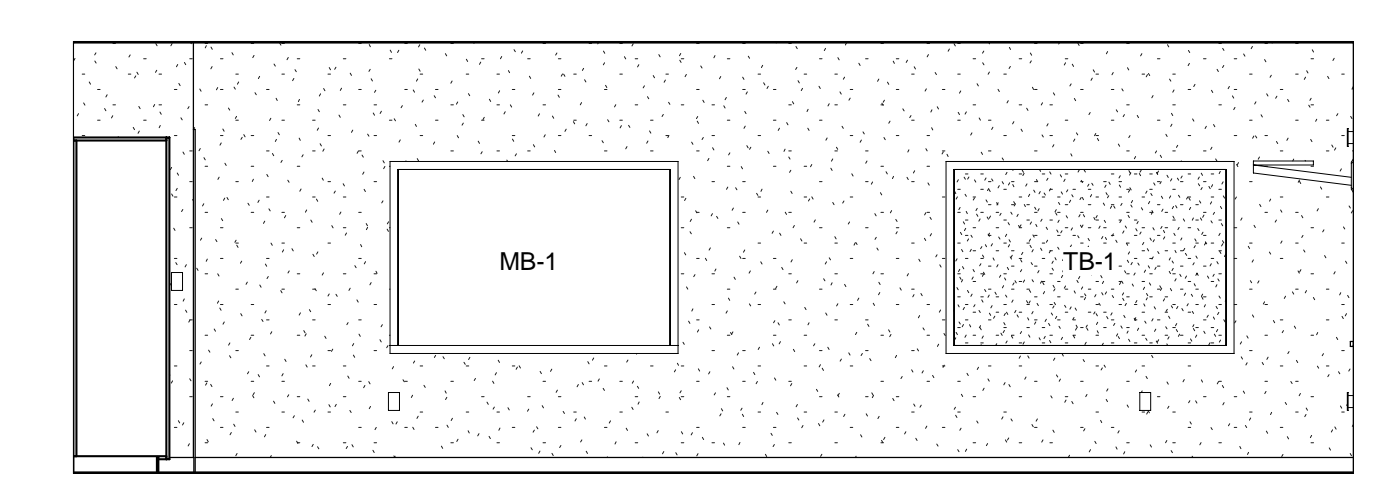
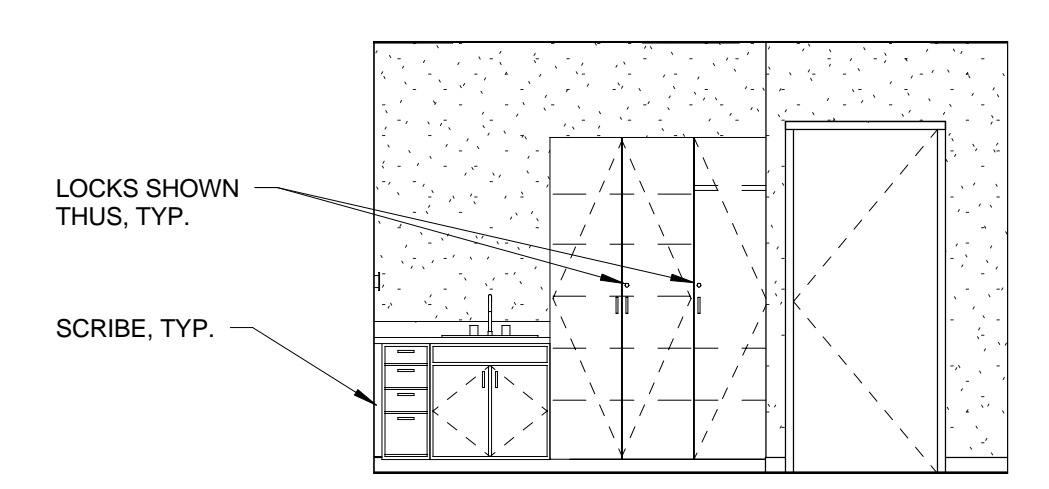




NO.	DESCRIPTION	DATE	BY

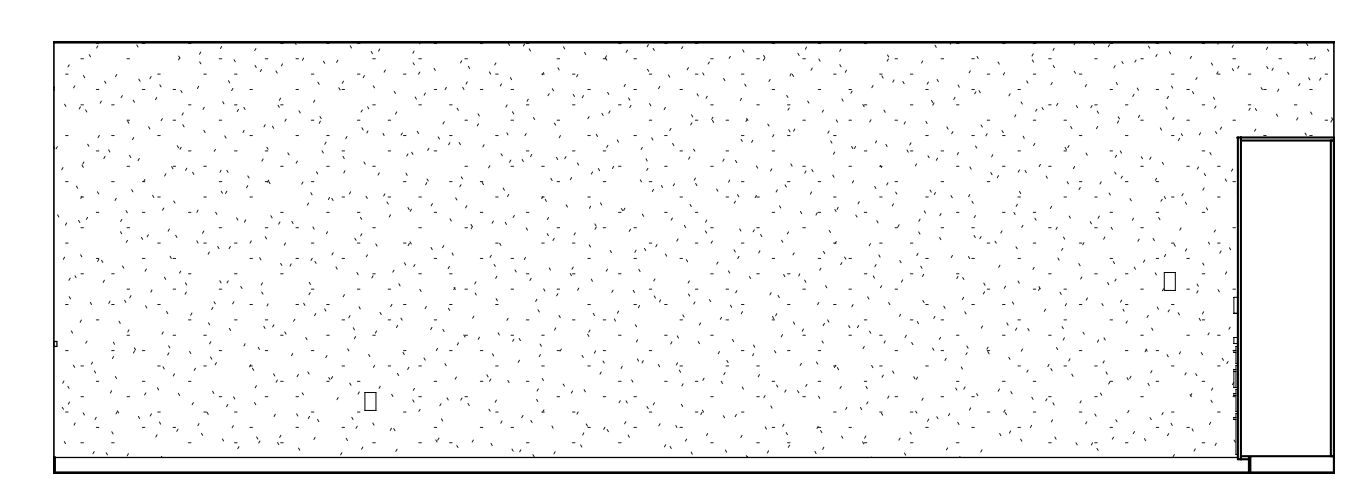


26 RM. 182 - SOUTH
1/4" = 1'-0"

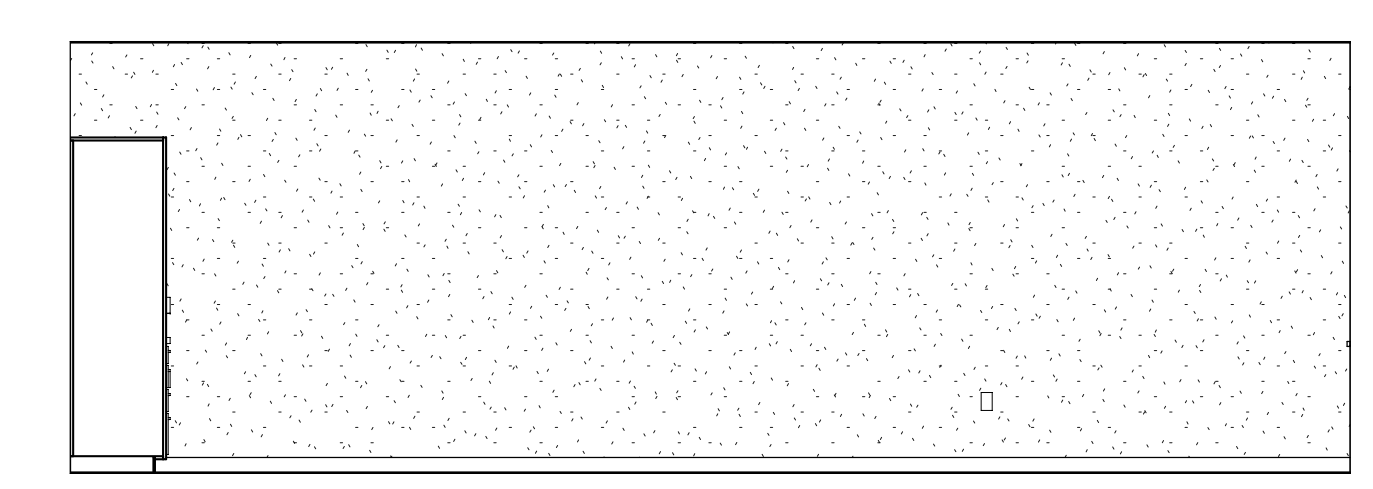


25 RM. 182 - EAST
1/4" = 1'-0"

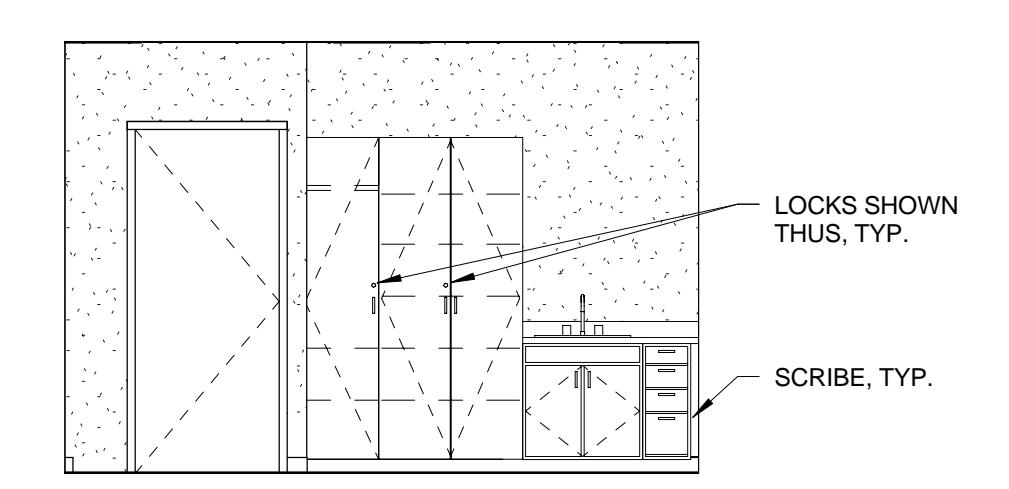
	E-5	E-2	E-7	E-8
W.	12'	30'	36'	18'
H.	32 1/2"	32 1/2"	84"	84"
D.	24"	24"	24"	24"



24 RM. 182 - NORTH
1/4" = 1'-0"

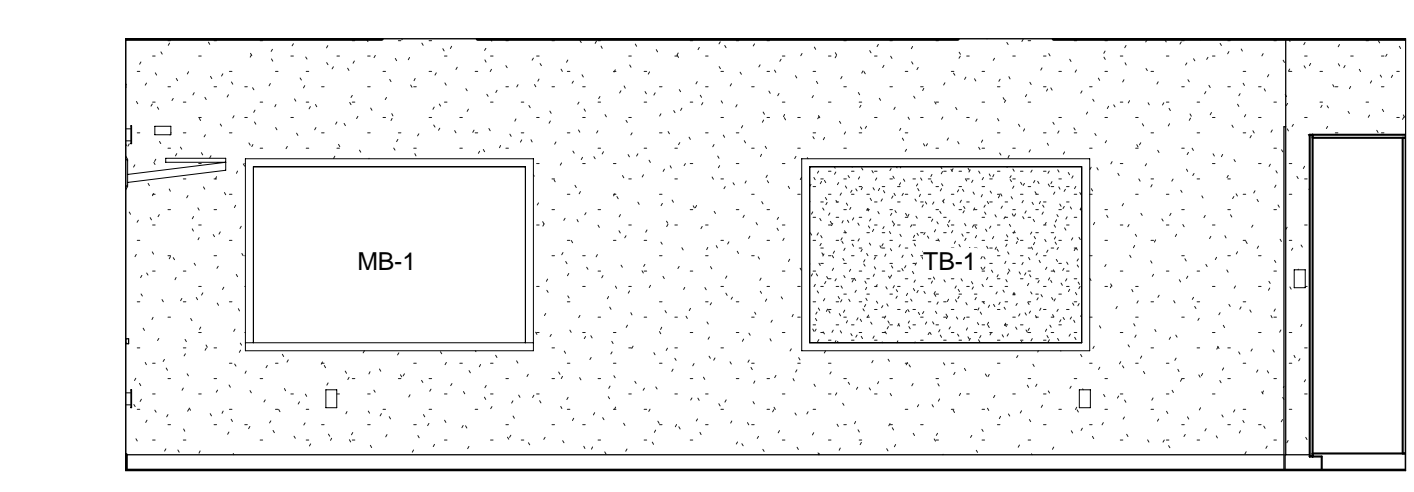


23 RM. 181 - SOUTH
1/4" = 1'-0"

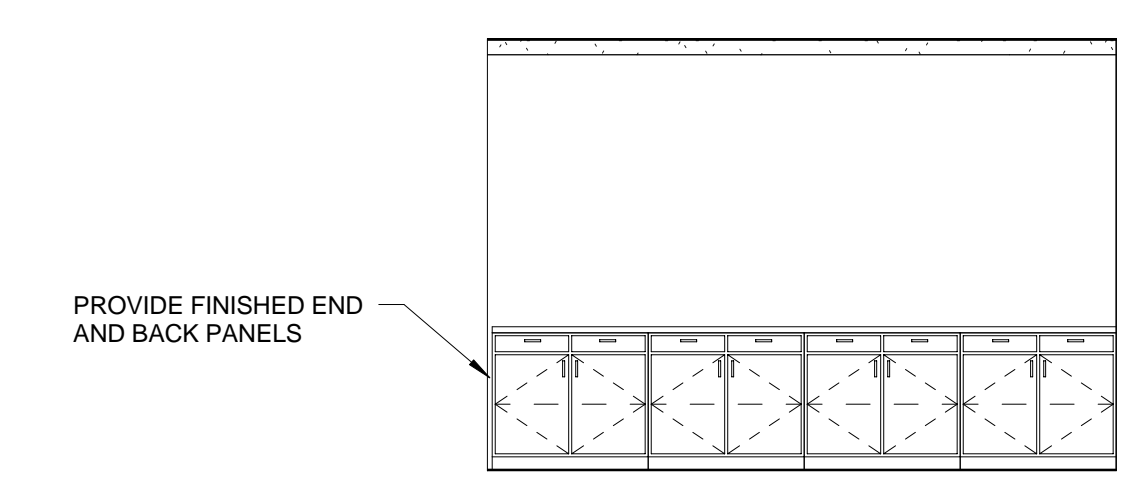


22 RM. 181 - EAST
1/4" = 1'-0"

	E-8	E-7	E-2	E-5
W.	18'	36'	30'	12'
H.	84"	84"	32 1/2"	32 1/2"
D.	24"	24"	24"	24"

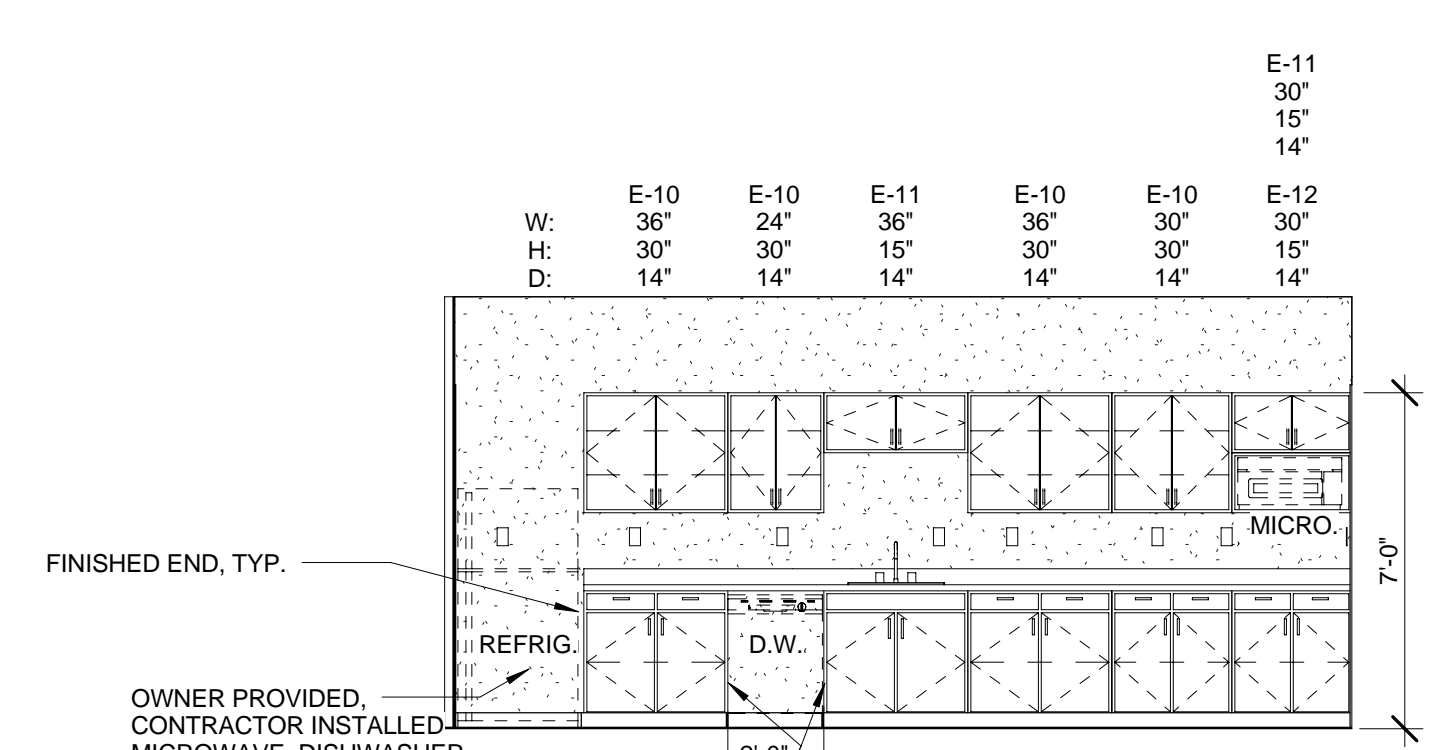


21 RM. 181 - NORTH
1/4" = 1'-0"



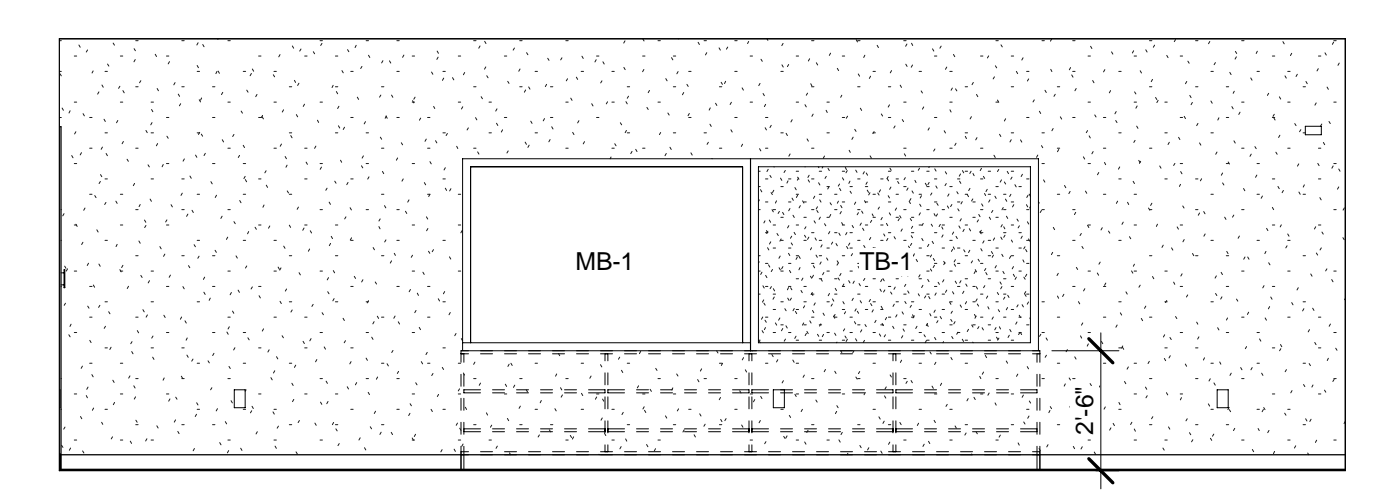
20 RM. 176 - EAST
1/4" = 1'-0"

	E-1	E-1	E-1	E-1
W.	39'	39'	39'	39'
H.	34 1/2"	34 1/2"	34 1/2"	34 1/2"
D.	24"	24"	24"	24"

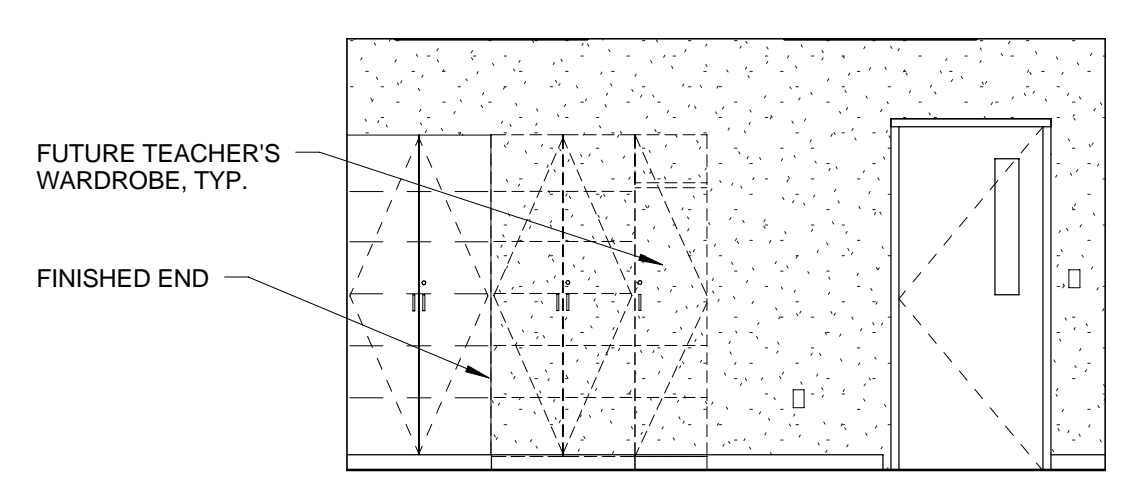


19 RM. 176 - WEST
1/4" = 1'-0"

	E-10	E-10	E-11	E-10	E-12
W.	30'	24'	36'	36'	30'
H.	30"	30"	15"	30"	30"
D.	14"	14"	14"	14"	14"

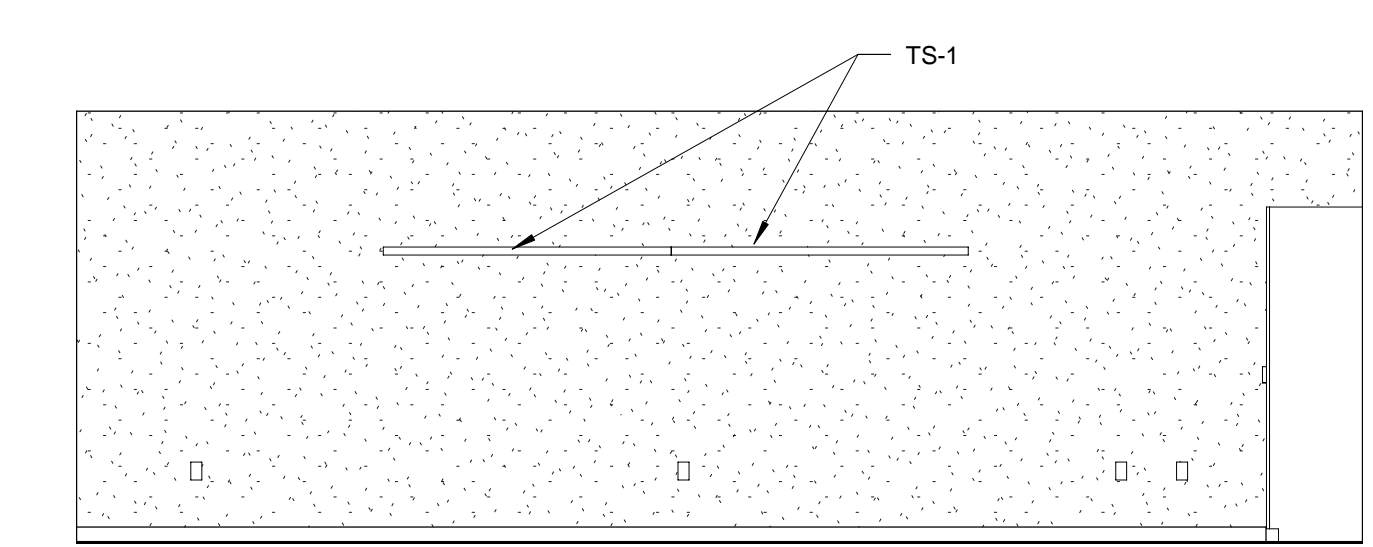


18 RM. 174 - EAST
1/4" = 1'-0"

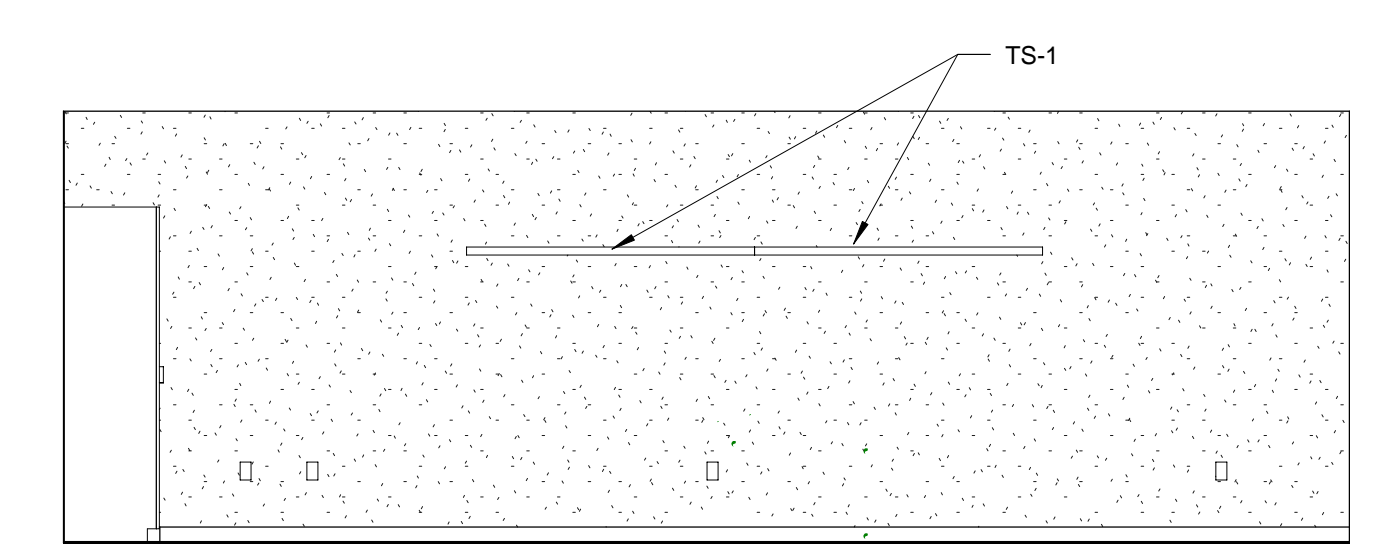


17 RM. 174 - NORTH
1/4" = 1'-0"

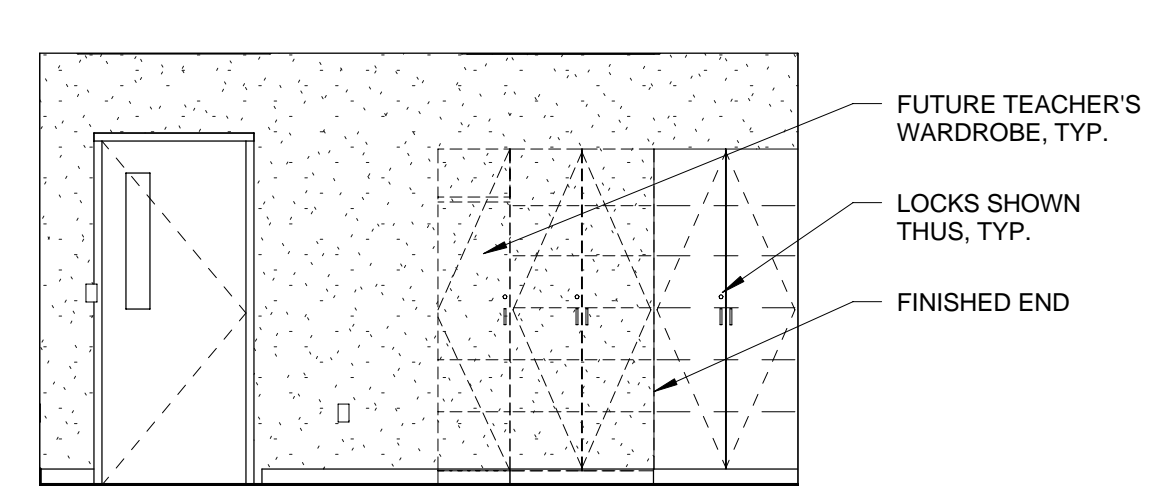
	E-7
W.	36'
H.	84"
D.	24"



16 RM. 174 - WEST
1/4" = 1'-0"

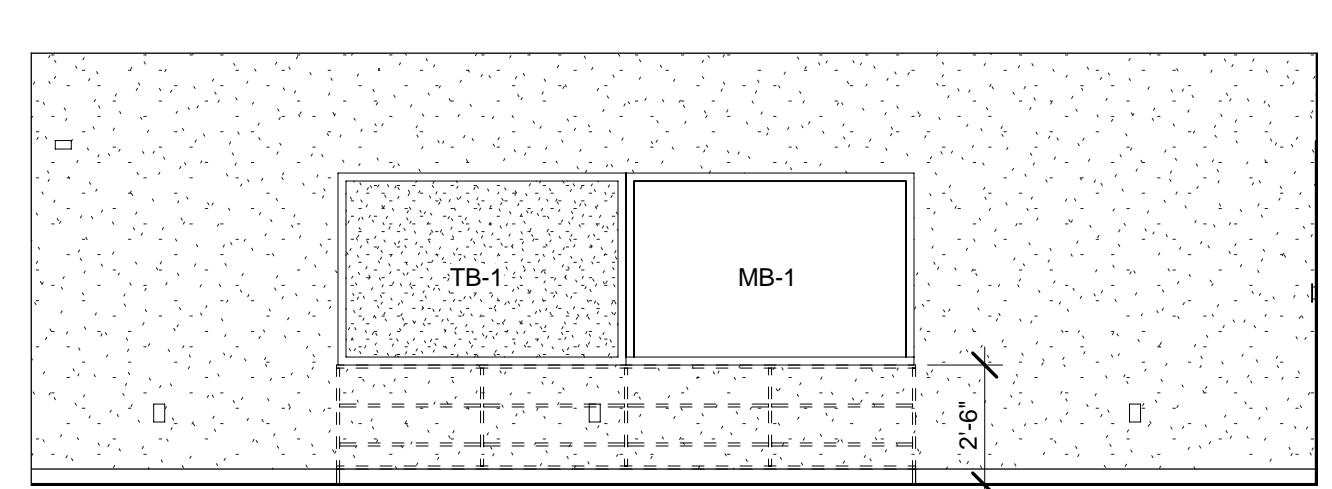


15 RM. 173 - EAST
1/4" = 1'-0"



14 RM. 173 - NORTH
1/4" = 1'-0"

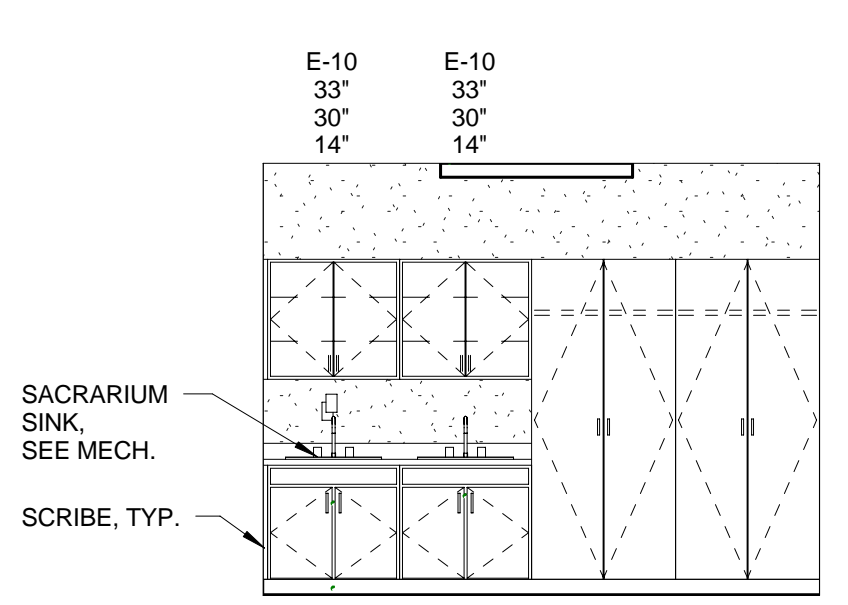
	E-7
W.	36'
H.	84"
D.	24"



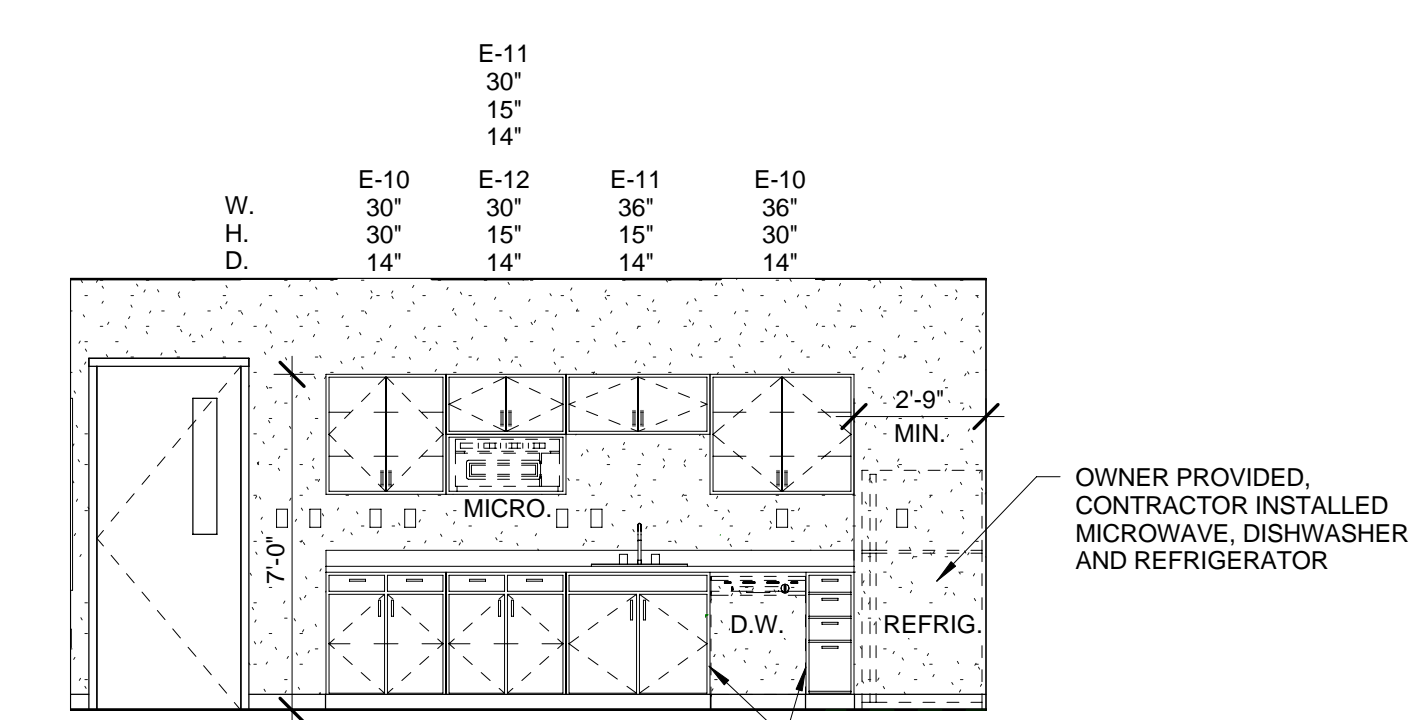
13 RM. 173 - WEST
1/4" = 1'-0"

GENERAL CASEWORK NOTES:

1. THE HEIGHT OF BASE CABINETS LISTED IN EACH TAG REFERS TO THE CABINET ONLY AND DOES NOT INCLUDE A COUNTERTOP THICKNESS.
2. KITCHEN APPLIANCES SHALL BE OWNER PROVIDED, CONTRACTOR INSTALLED. CONSTRUCTION MANAGER SHALL COORDINATE WITH OWNER FOR SIZE OF EACH.
3. ALL EXPOSED FACES OF CASEWORK AT THE END OF RUNS, AT KNEESPACES, OR AREAS PLANNED FOR EQUIPMENT SHALL BE FINISHED WITH PLASTIC LAMINATE AS SPECIFIED.
4. CABINET BODIES, DRAWERS, DOORS, AND EXPOSED SHELVING SHALL BE PL-1 (WOOD GRAIN IN VERTICAL DIRECTION) (U.N.O.). COUNTERTOPS AND BACKSPLASHES SHALL BE AS FOLLOWS (U.N.O.):
 PL-2 AT ROOM 122
 PL-3 AT ROOMS 102, 105, 110, 123, 142, AND 163
 PL-4 AT ROOMS 183, 184, 191, AND 193
 PL-5 AT ROOMS 181, 182, AND 194
 PL-6 AT ROOMS 176, 195, AND 197
 PROVIDE COORDINATING PVC EDGE-BANDING (U.N.O.) FOR EACH PLASTIC LAMINATE PER COLOR SCHEDULE. SPECIFICATION SECTION 09999.
5. SEE 13A1-3 RM. 110 SOUTH ELEVATION FOR ADDITIONAL CASEWORK LOCATED IN KITCHEN.

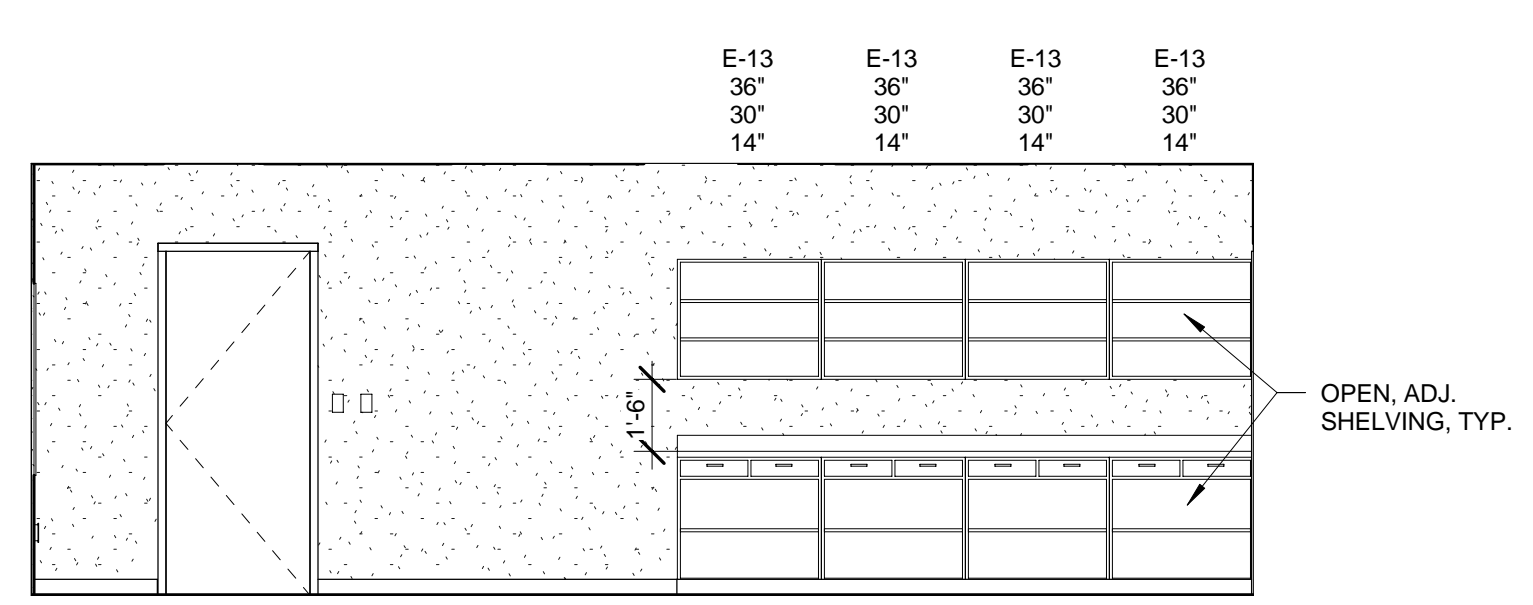


9 RM. 163 - WEST
1/4" = 1'-0"



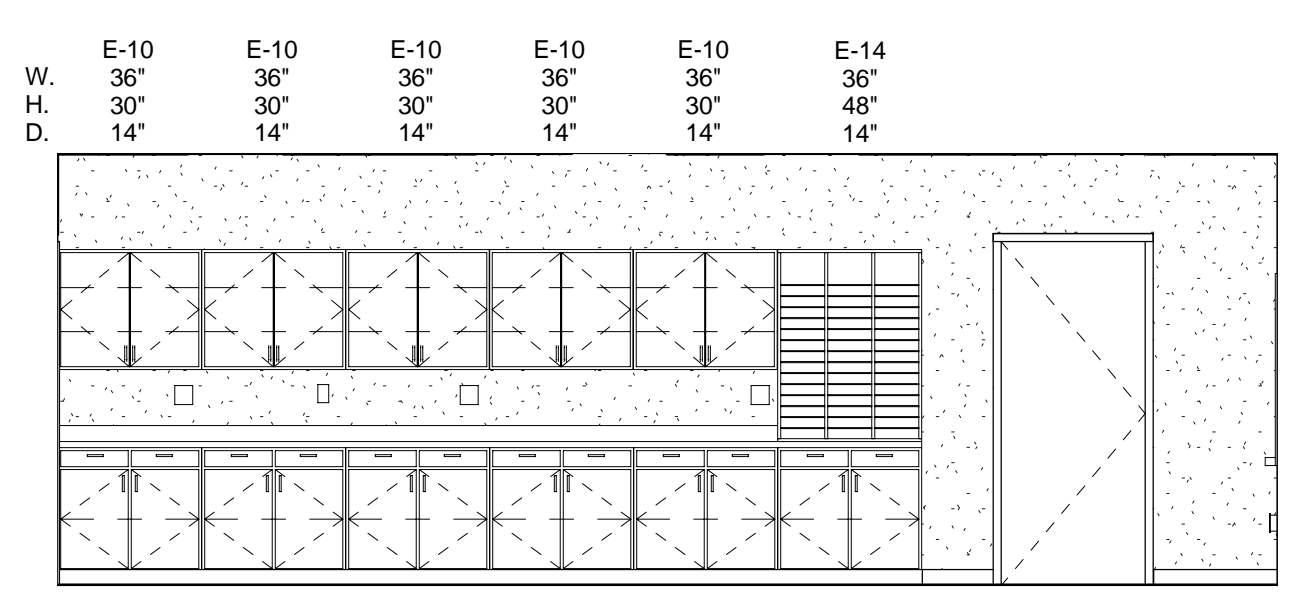
8 RM. 142 - SOUTH
1/4" = 1'-0"

	E-10	E-10	E-11	E-10
W.	30'	30'	36'	36'
H.	30"	30"	15"	30"
D.	14"	14"	14"	14"

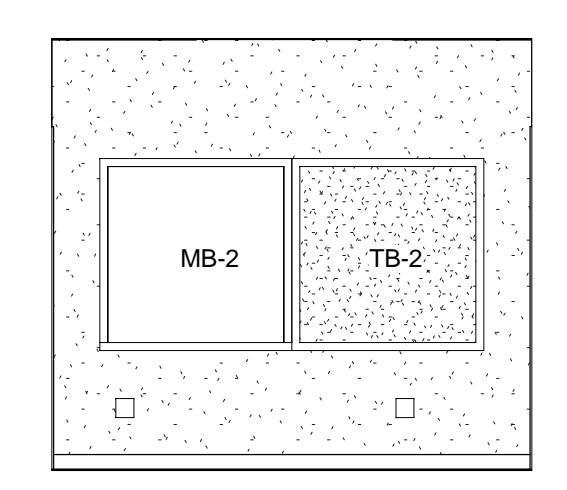


7 RM. 123 - EAST
1/4" = 1'-0"

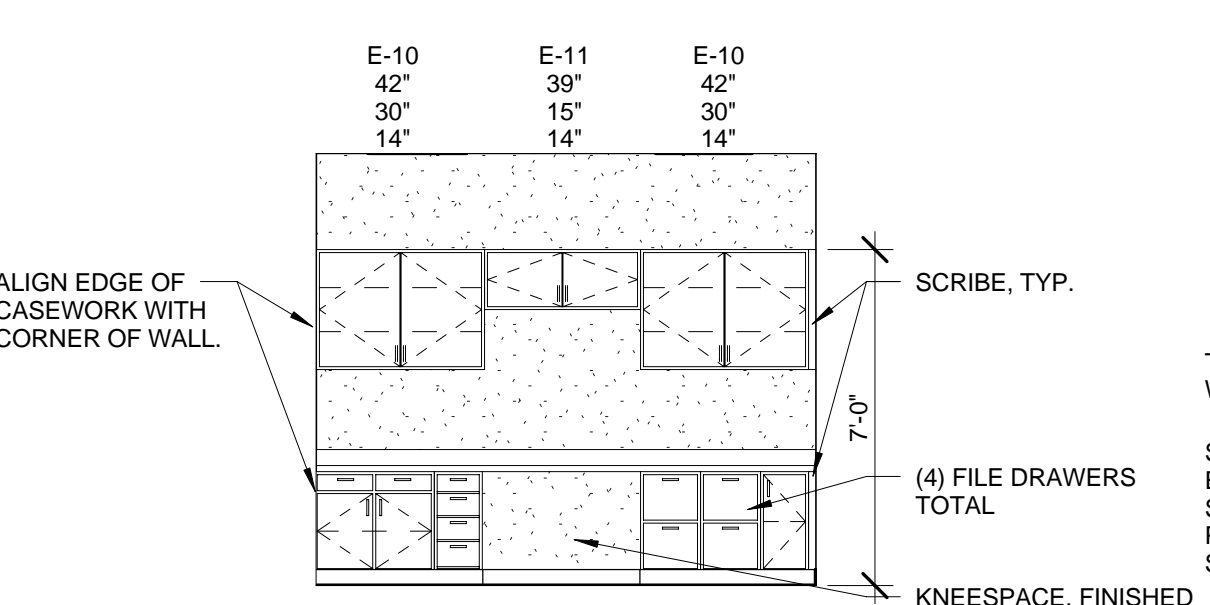
	E-6	E-6	E-6	E-6
W.	36'	36'	36'	36'
H.	34 1/2"	34 1/2"	34 1/2"	34 1/2"
D.	24"	24"	24"	24"



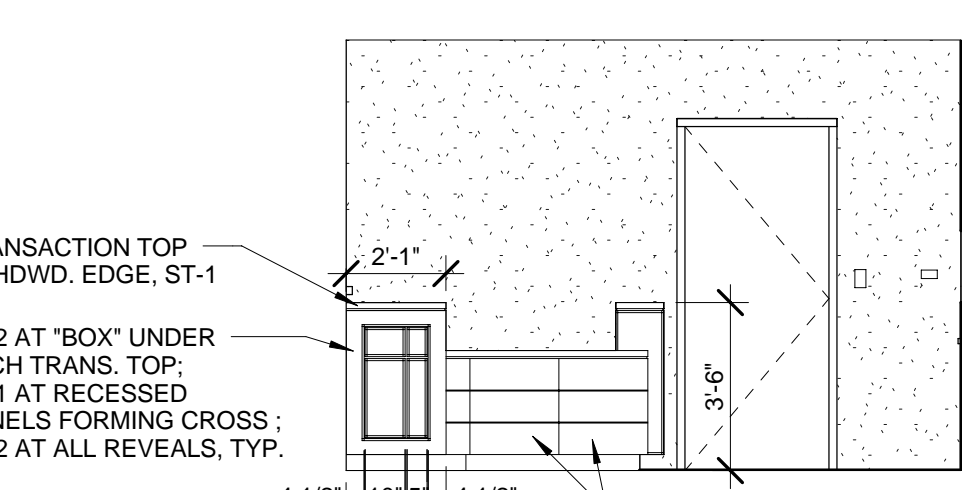
6 RM. 123 - WEST
1/4" = 1'-0"



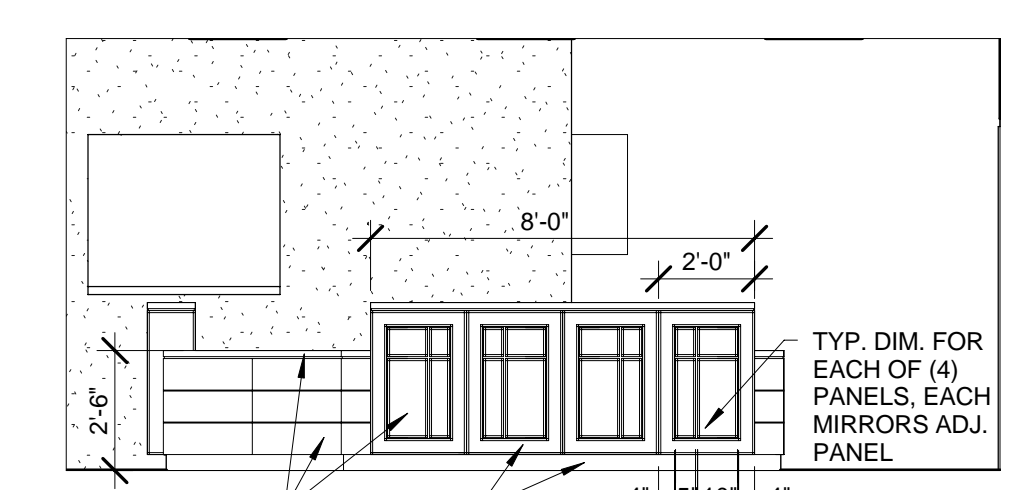
5 RM. 123 - NORTH
1/4" = 1'-0"



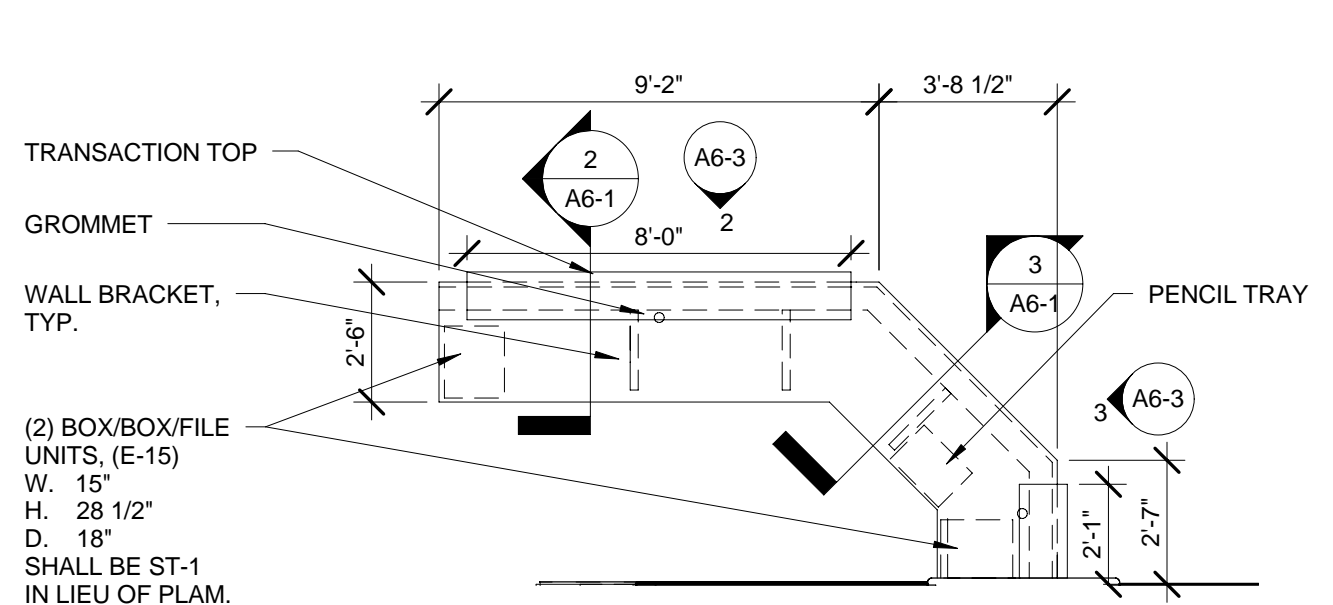
4 RM. 122 - EAST
1/4" = 1'-0"



3 RM. 122 - EAST ELEV. RECEPTION DESK
1/4" = 1'-0"



2 RM. 122 - NORTH ELEV. RECEPTION DESK
1/4" = 1'-0"



1 RM. 122 - ENLARGED RECEPTION DESK
1/4" = 1'-0"