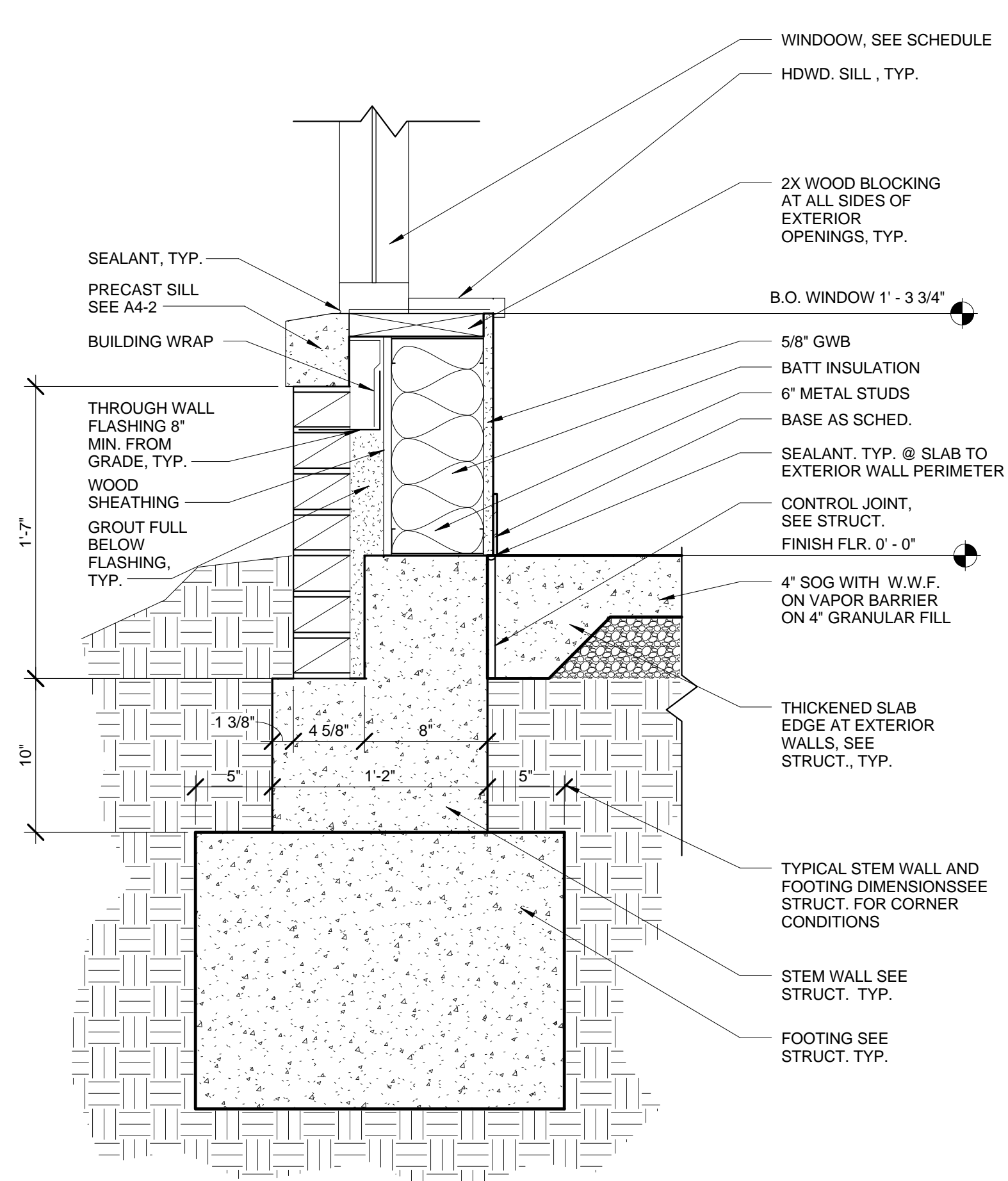
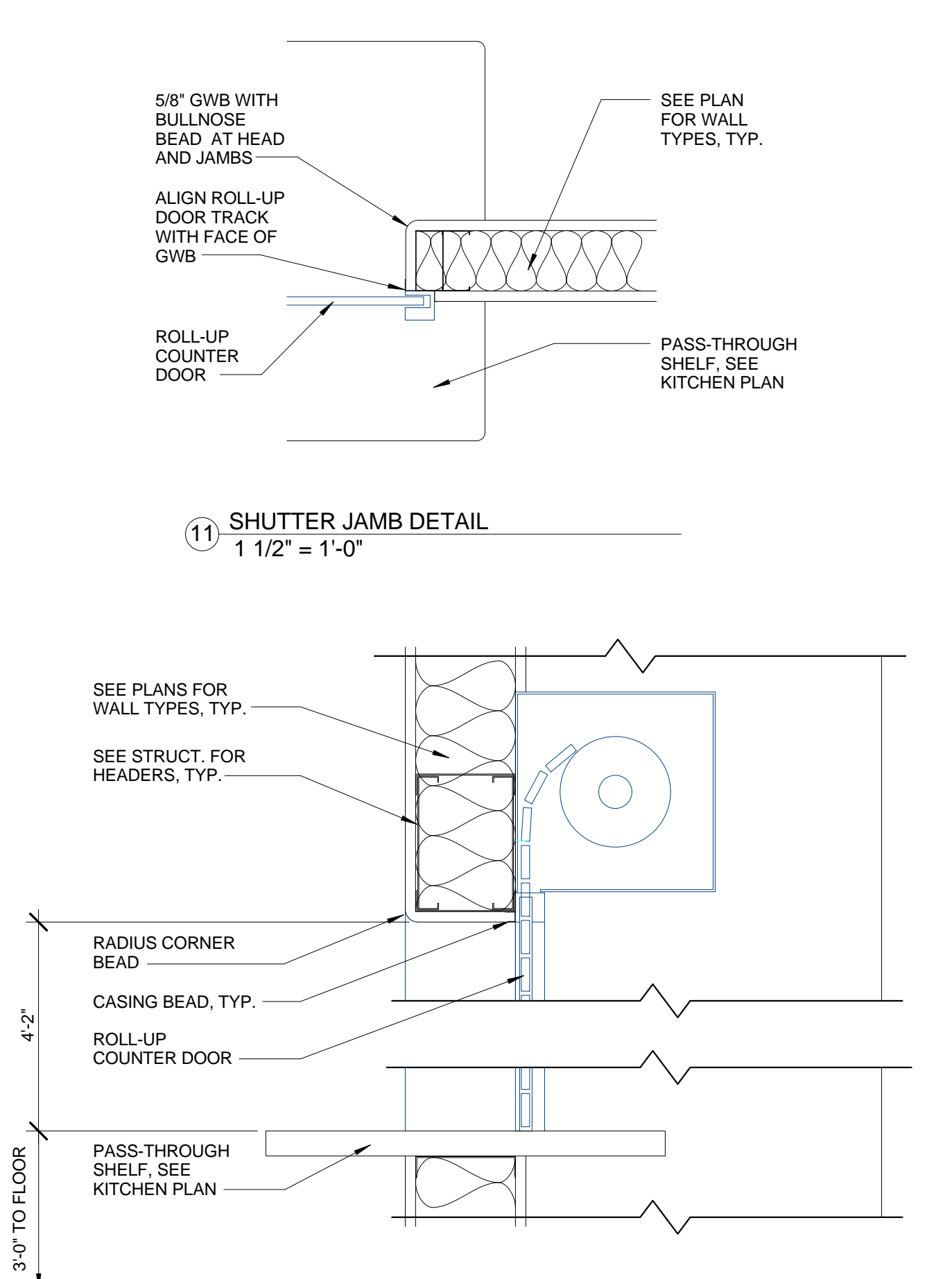


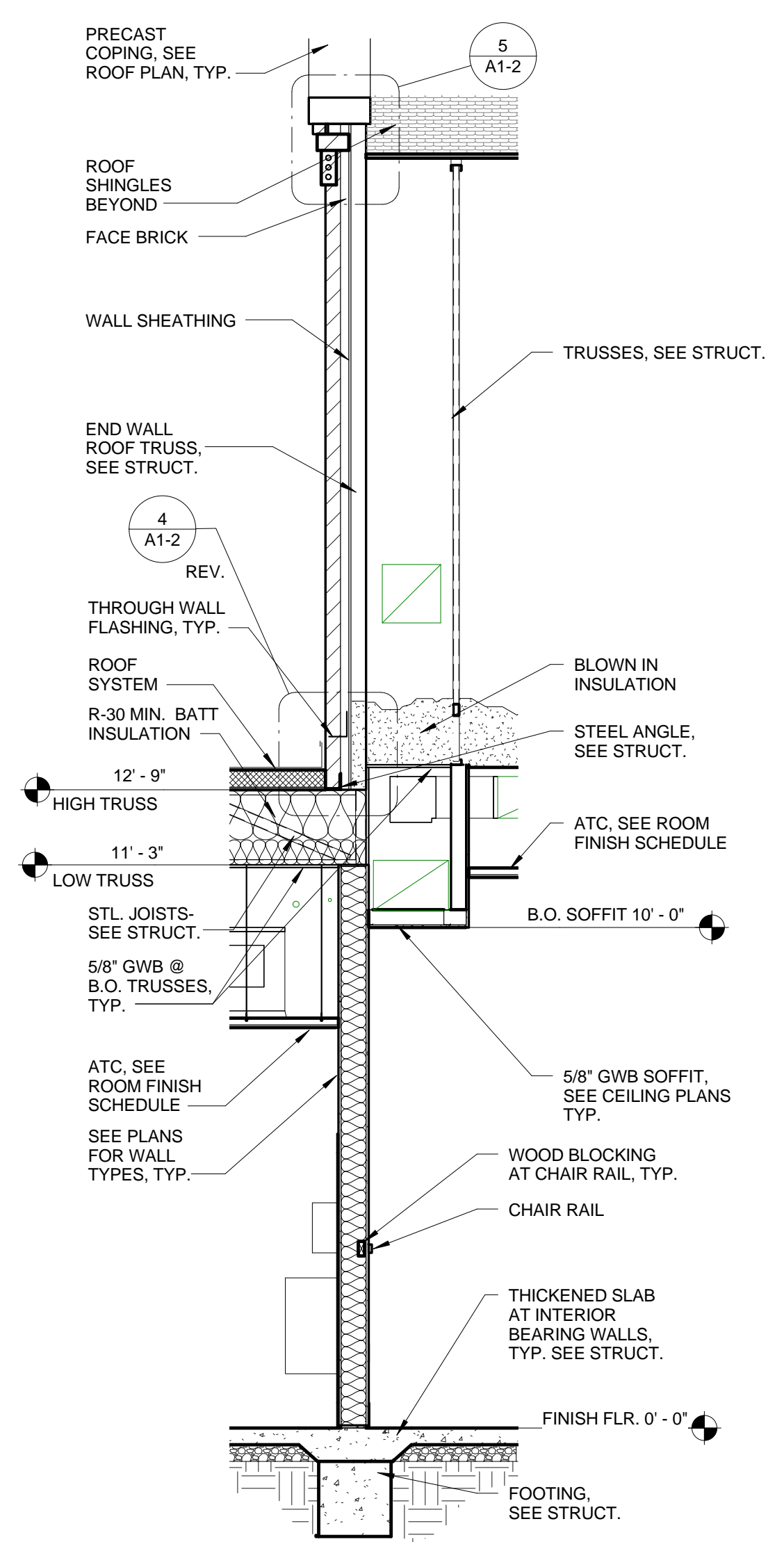
NO.	DATE	DESCRIPTION



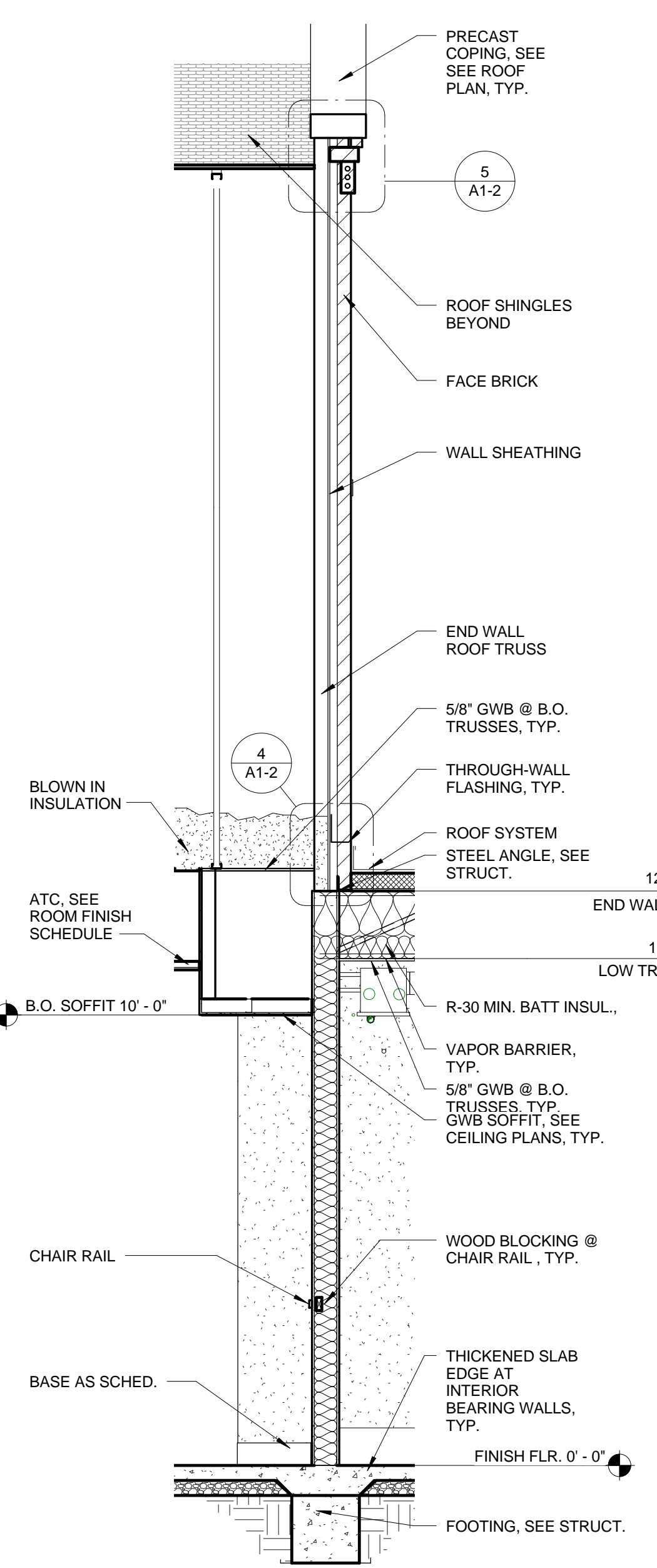
10 ENLARGED FOOTING DETAIL
1 1/2" = 1'-0"



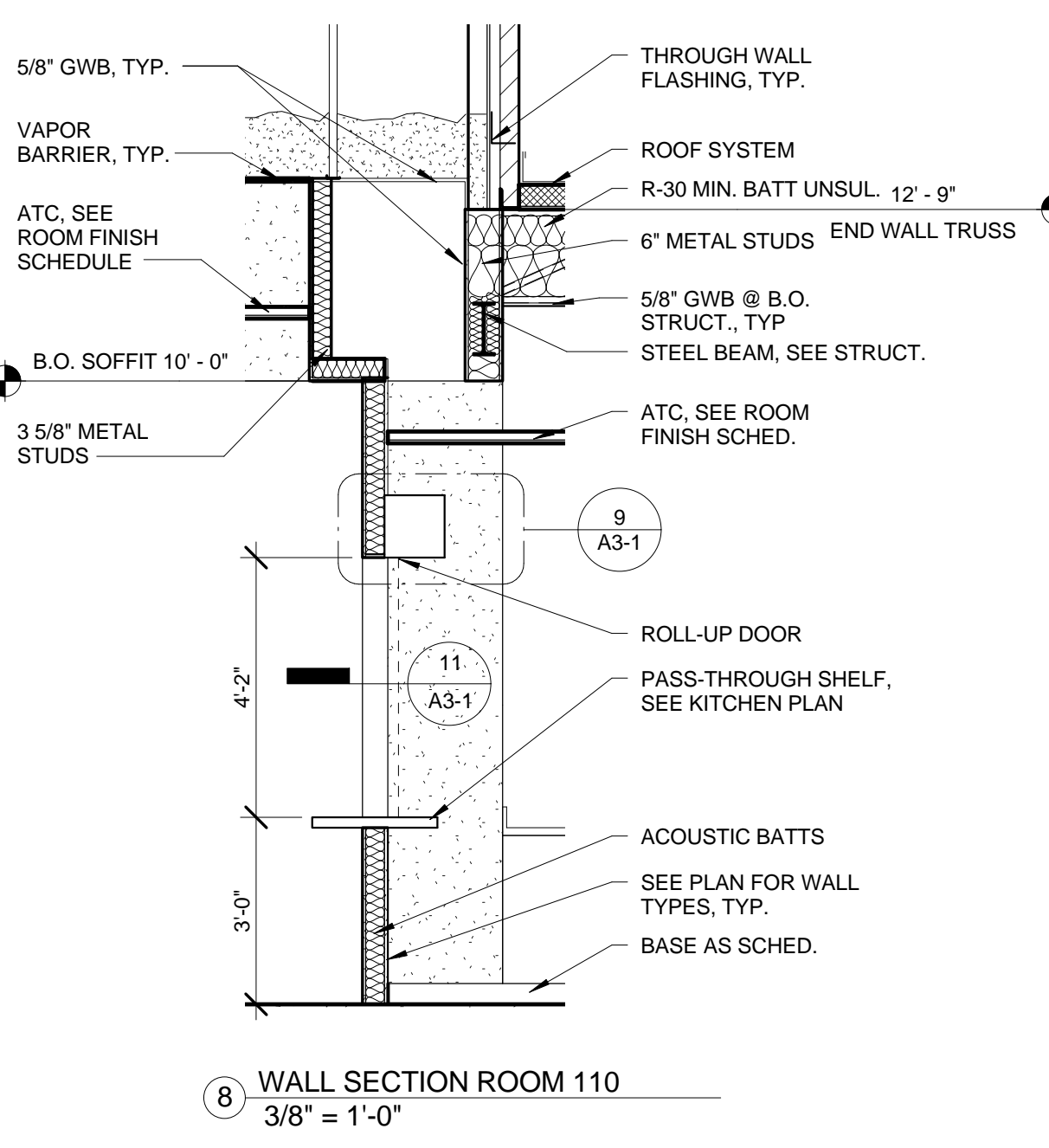
9 SHUTTER HEAD DETAIL
1 1/2" = 1'-0"



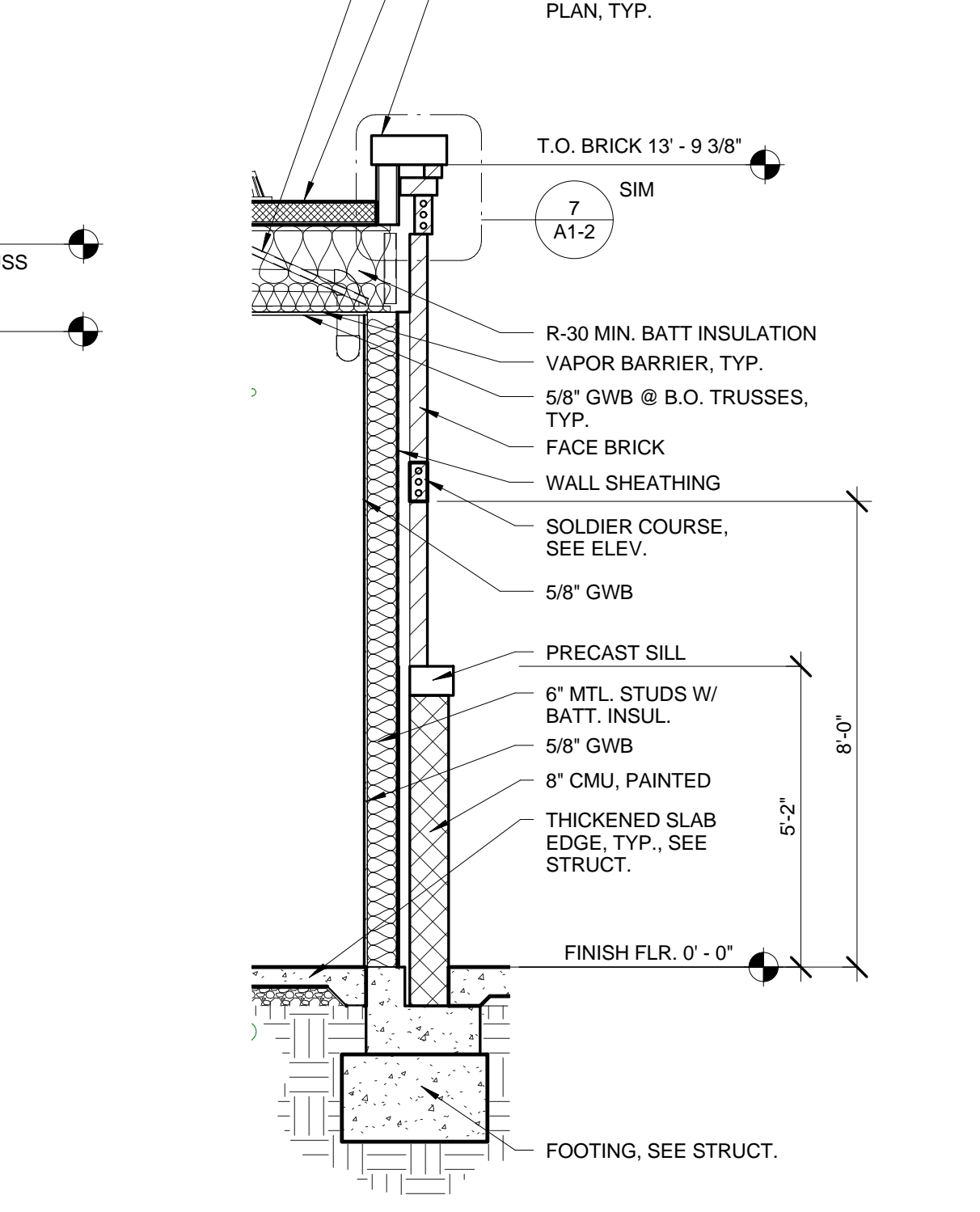
5 WALL SECTION - RM. 102
3/8" = 1'-0"



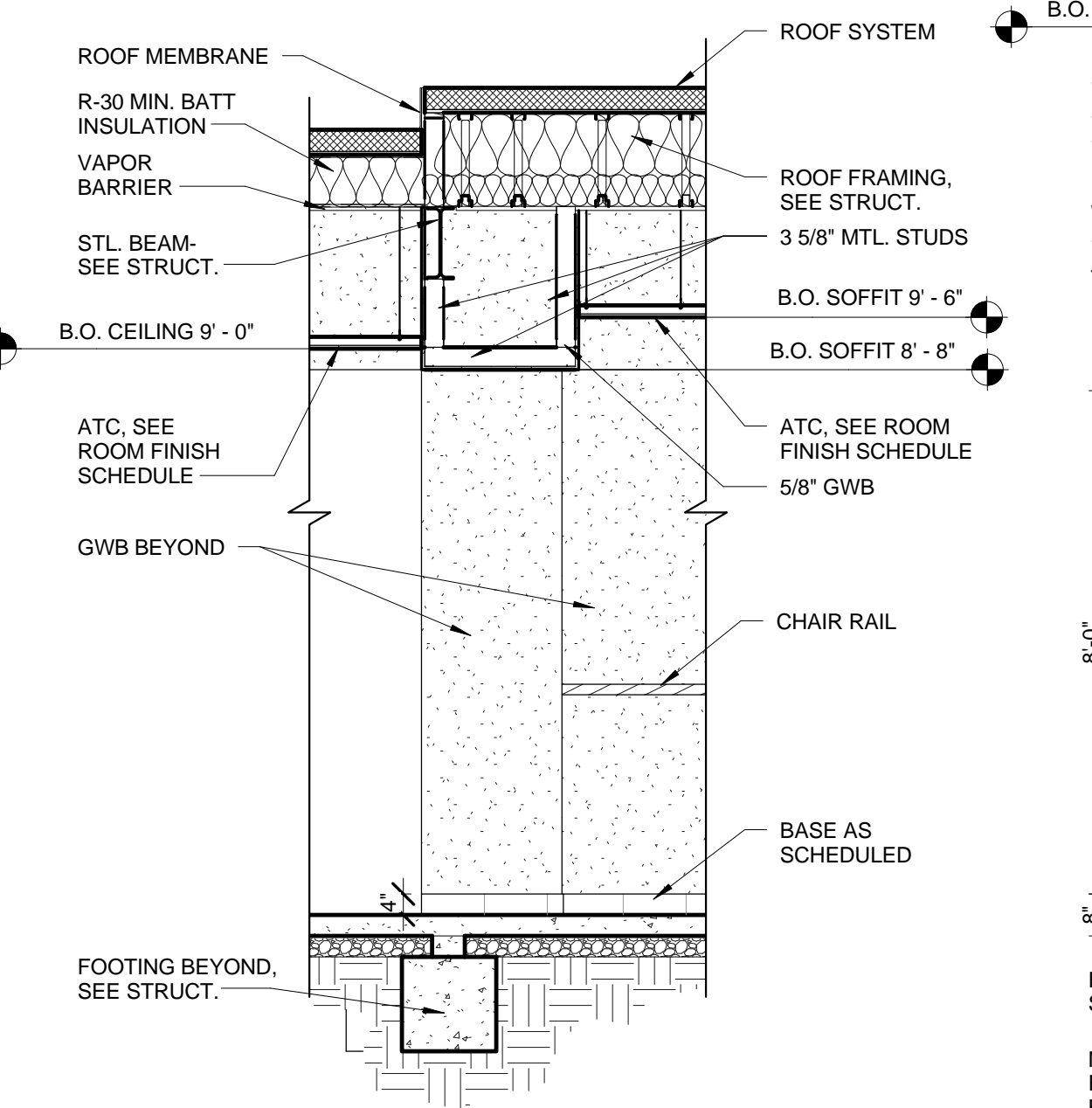
4 WALL SECTION - RM. 113
3/8" = 1'-0"



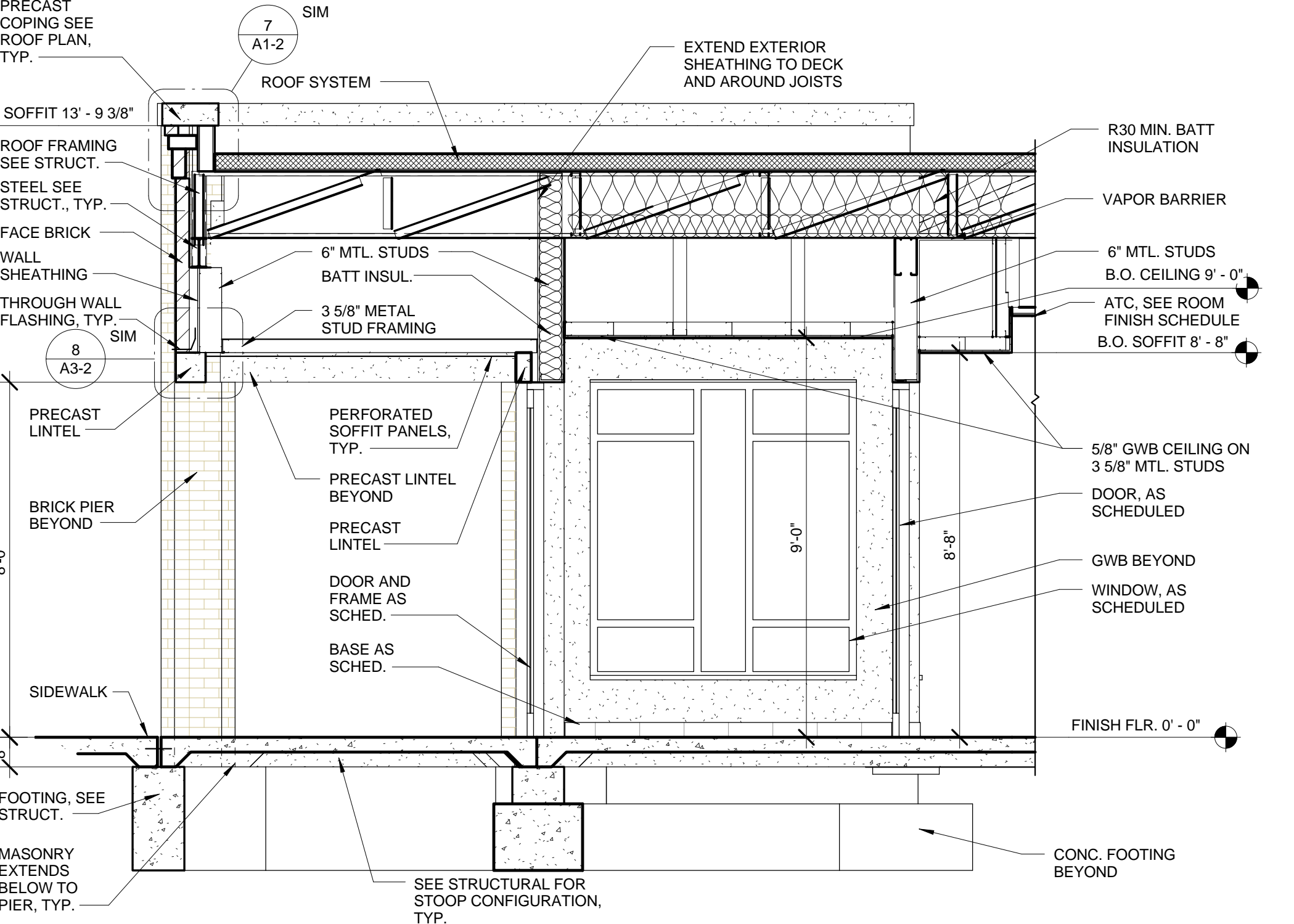
8 WALL SECTION ROOM 110
3/8" = 1'-0"



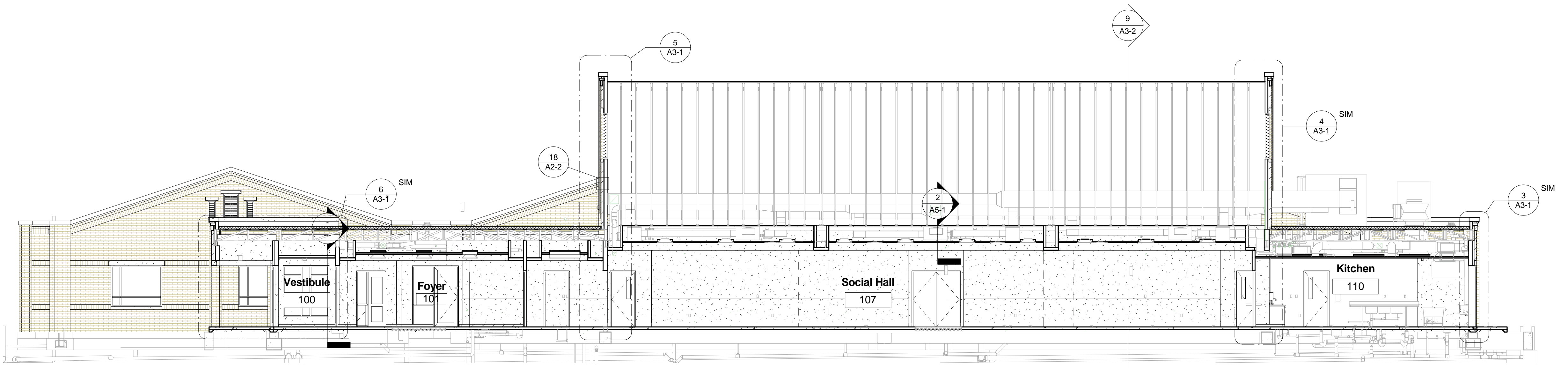
3 WALL SECTION - TRANSFORMER ENCLOSURE
3/8" = 1'-0"



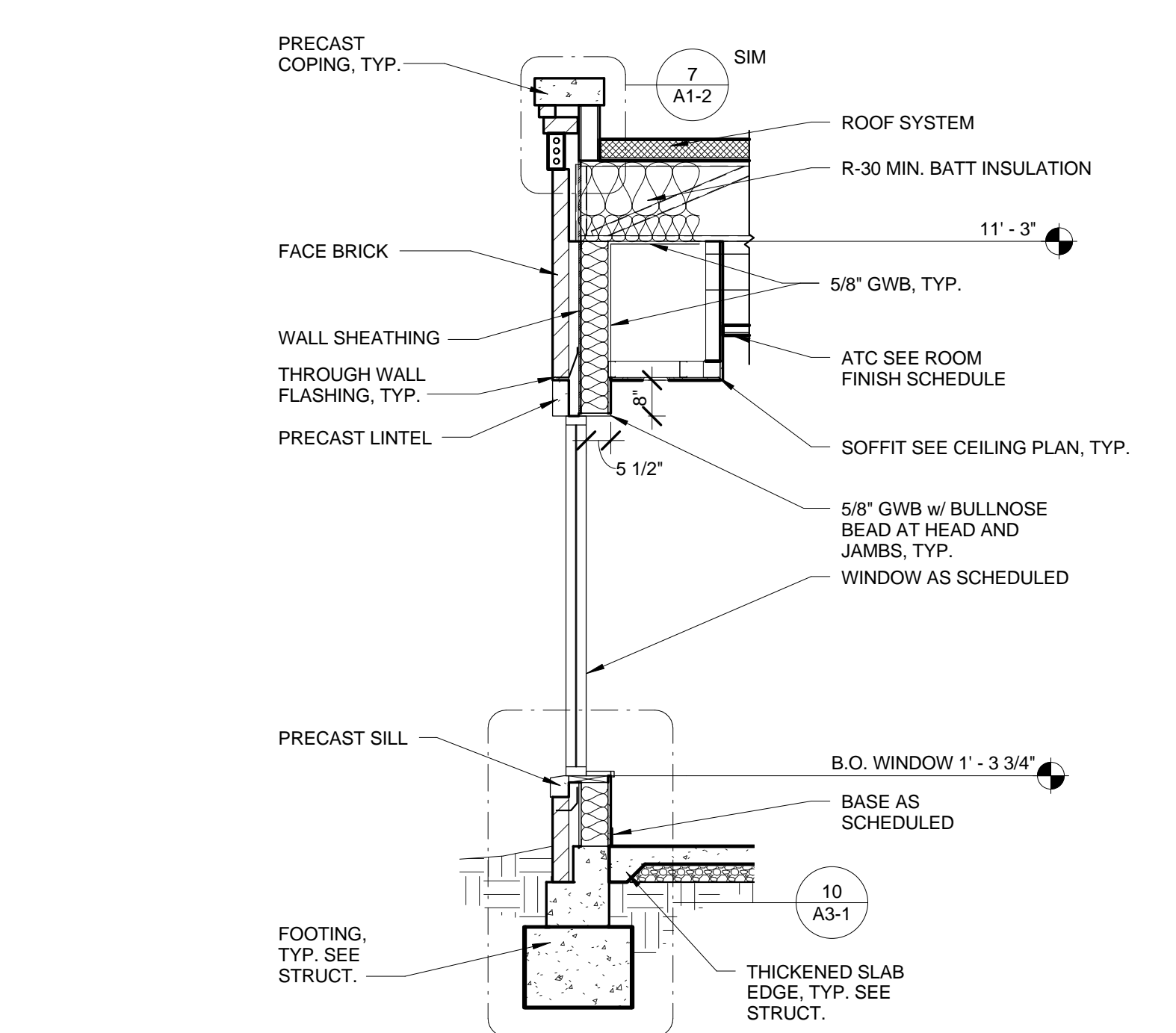
7 BUILDING SECTION - FOYER - 101
3/8" = 1'-0"



6 BUILDING SECTION - VESTIBULE - 100
3/8" = 1'-0"



1 BUILDING SECTION - SOCIAL HALL - WEST
1/8" = 1'-0"



2 WALL SECTION - RM. 101
3/8" = 1'-0"