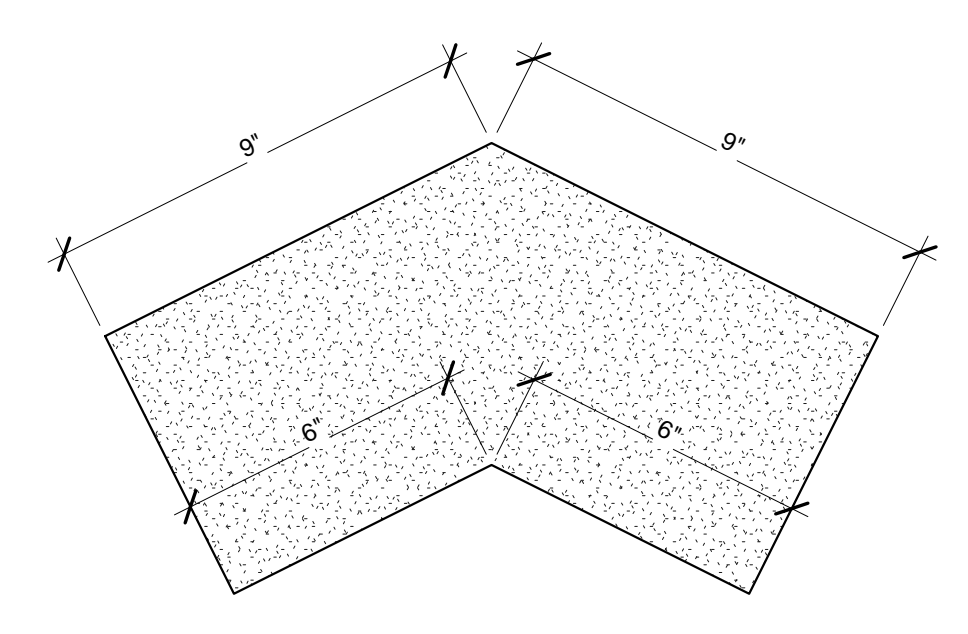
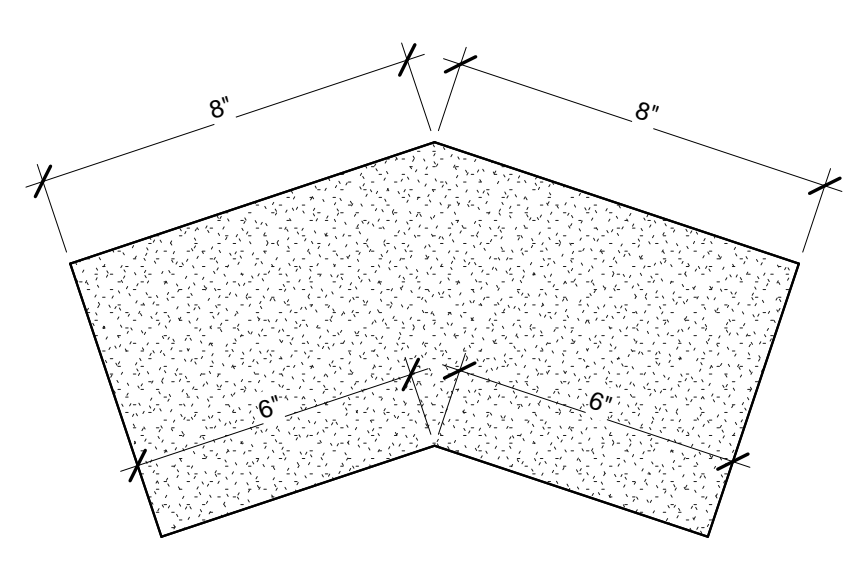


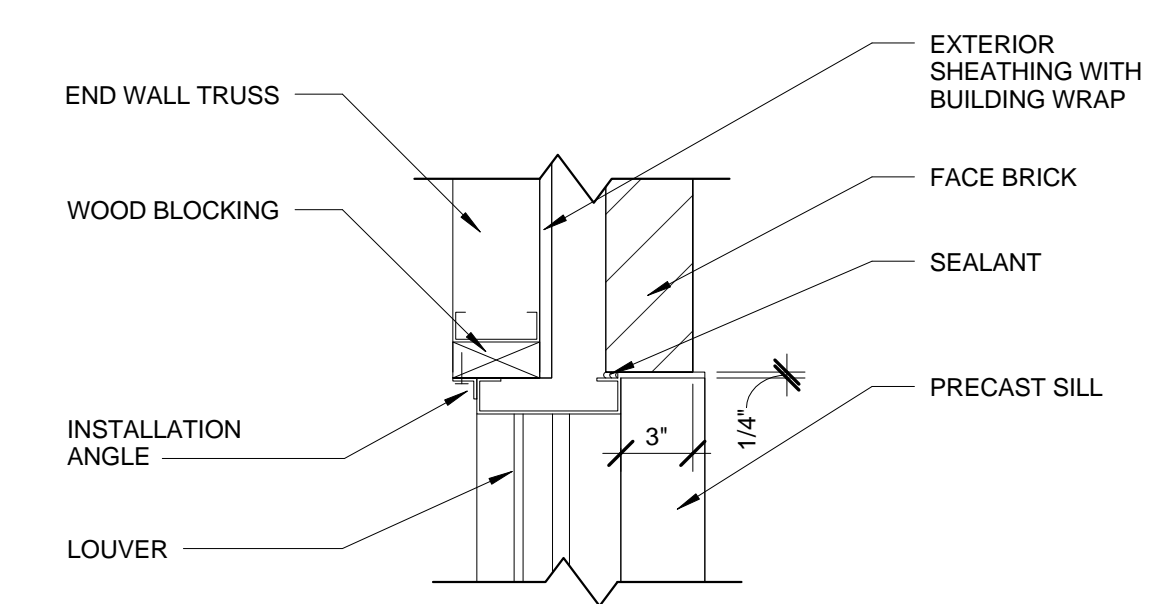
NO.	DATE	BY	DESCRIPTION



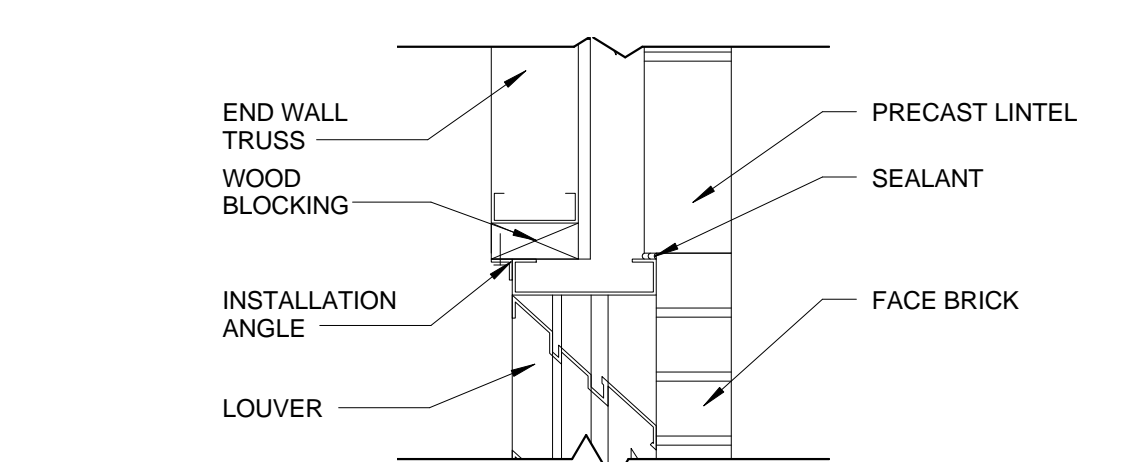
21 PRECAST GABLE CAP - 6/12 PITCH
3" = 1'-0"



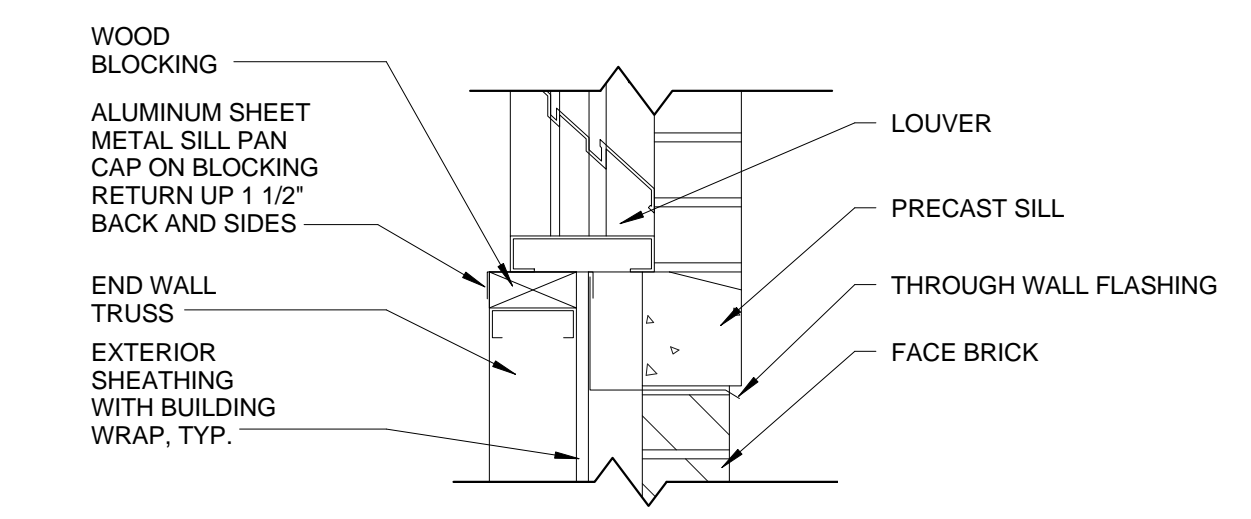
20 PRECAST GABLE CAP - 4/12 PITCH
3" = 1'-0"



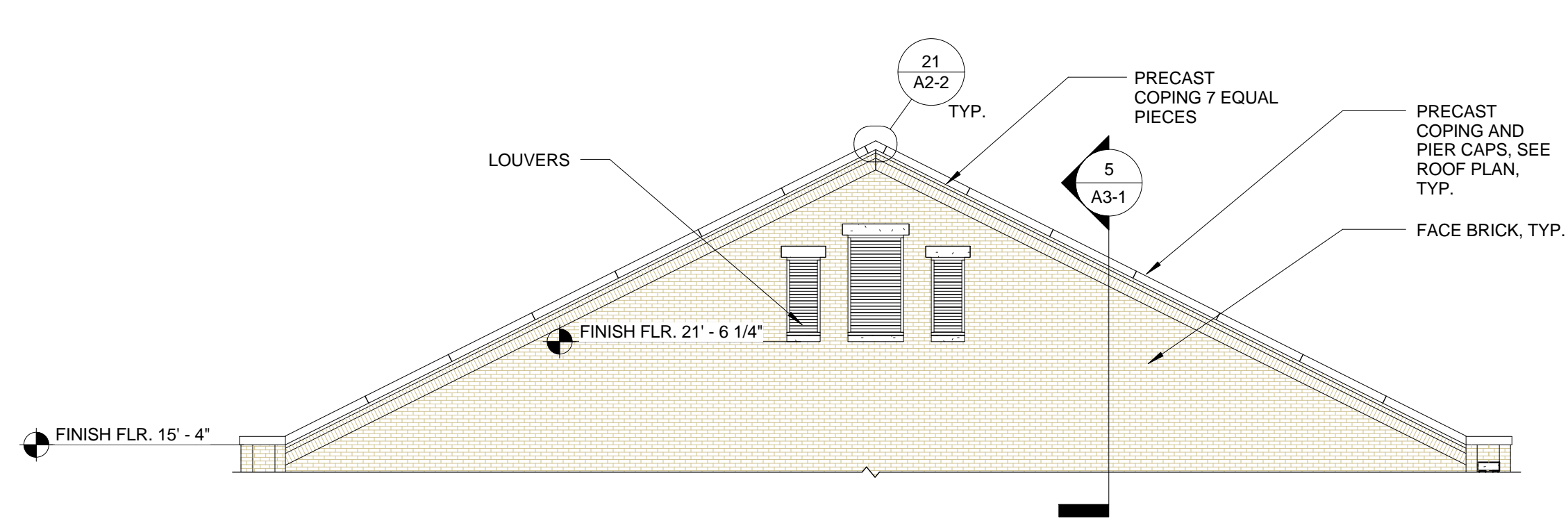
19 LOUVER DETAIL - JAMB
1 1/2" = 1'-0"



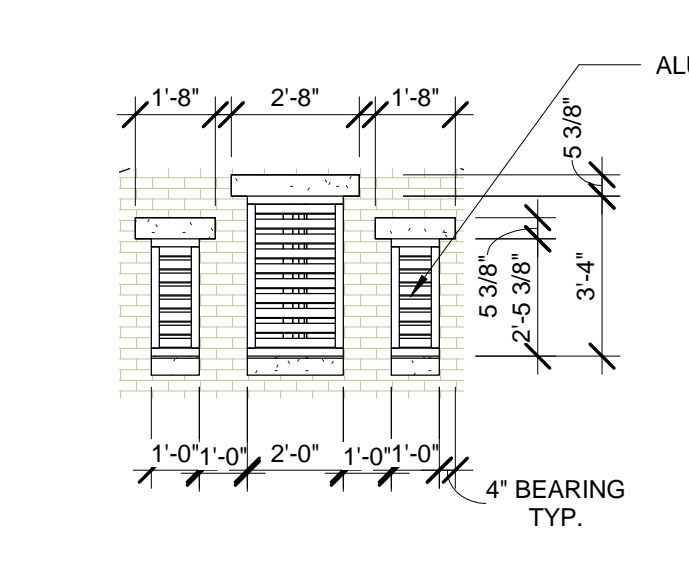
22 LOUVER DETAIL - HEAD
1 1/2" = 1'-0"



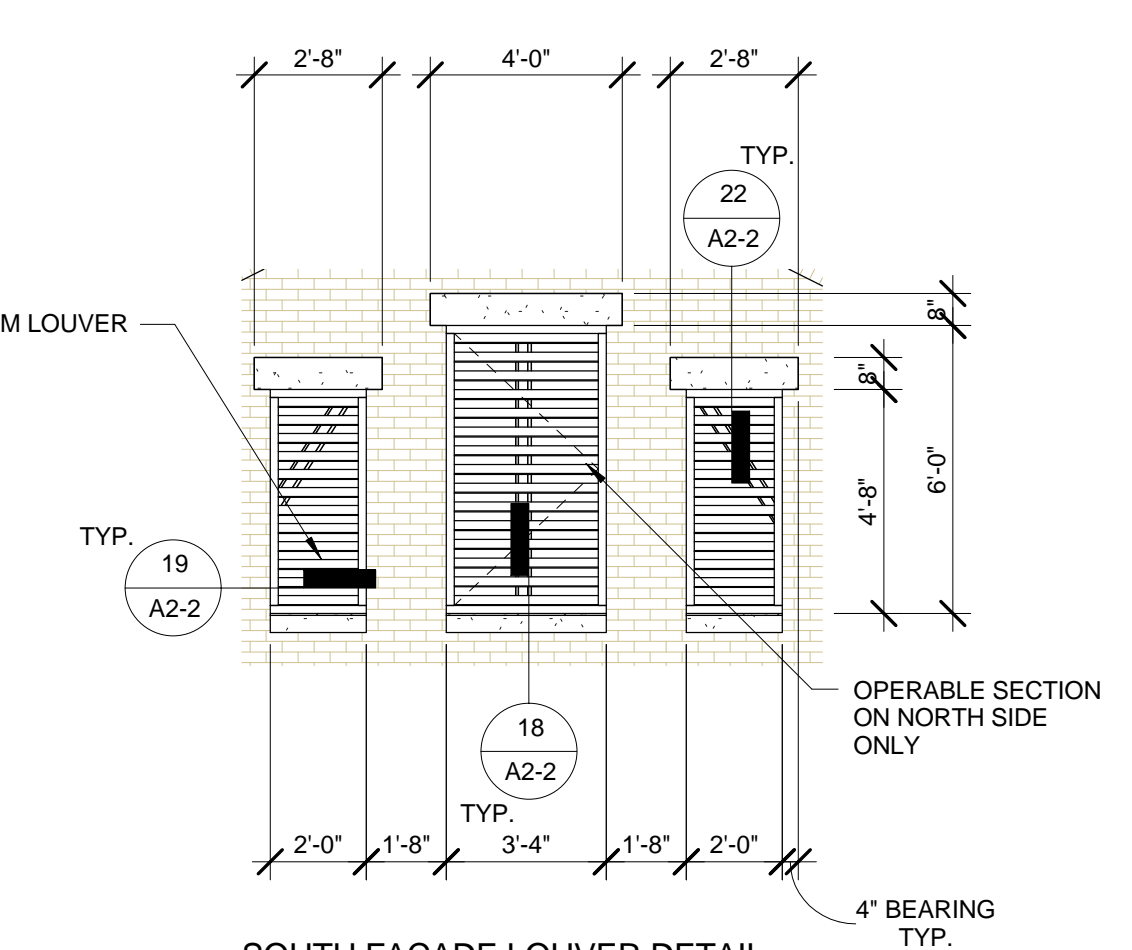
18 LOUVER DETAIL - SILL
1 1/2" = 1'-0"



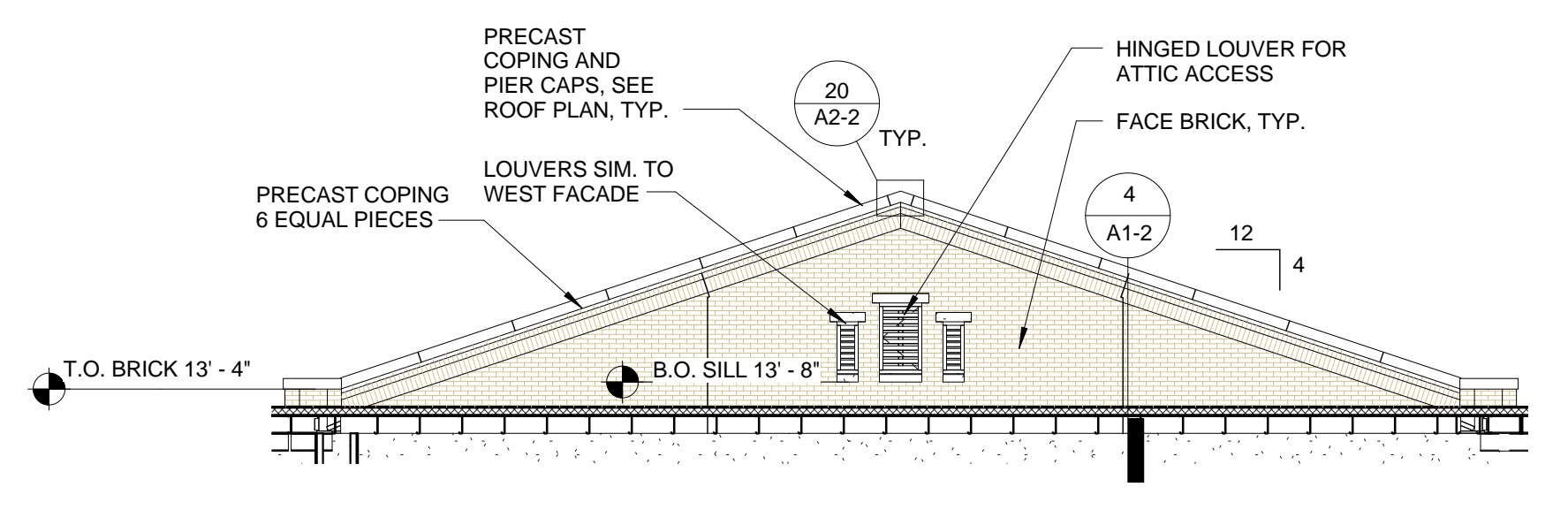
17 SOUTH GABLE SOCIAL HALL RM. 107
1/8" = 1'-0"



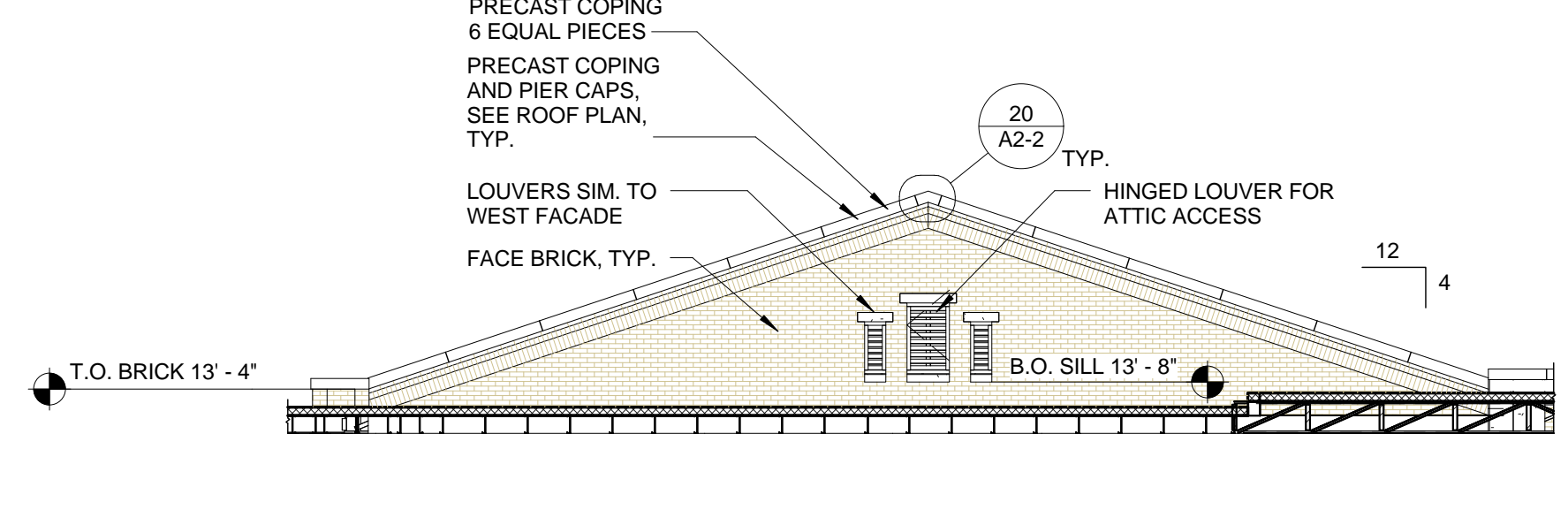
16 WEST FACADE - SOUTH END - LOUVER
1/4" = 1'-0"



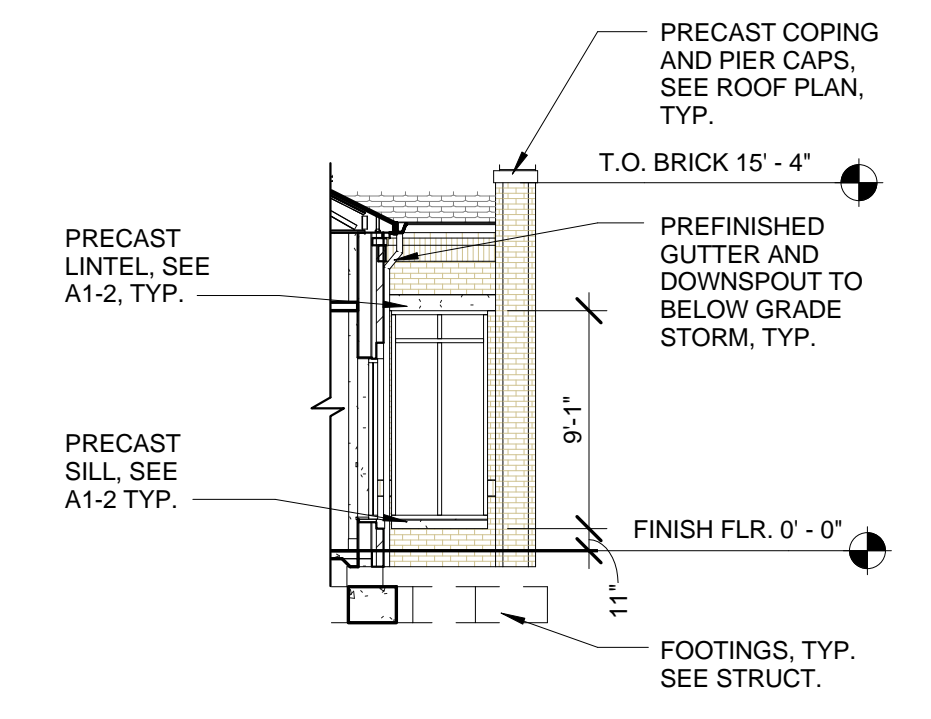
15 SOUTH FACADE LOUVER DETAIL
1/4" = 1'-0"



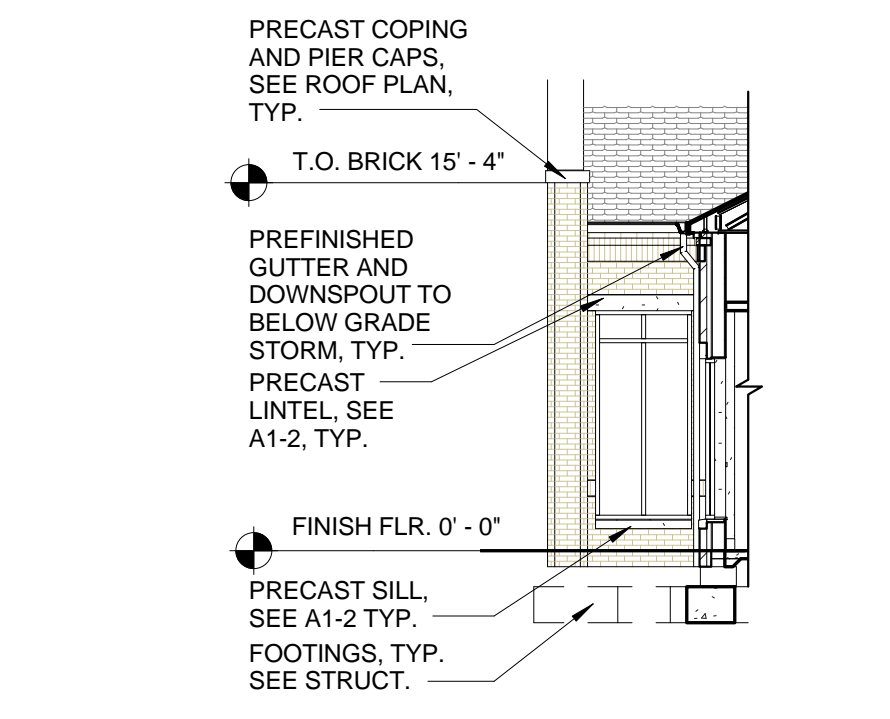
14 EAST GABLE CATACHESIS - B
1/8" = 1'-0"



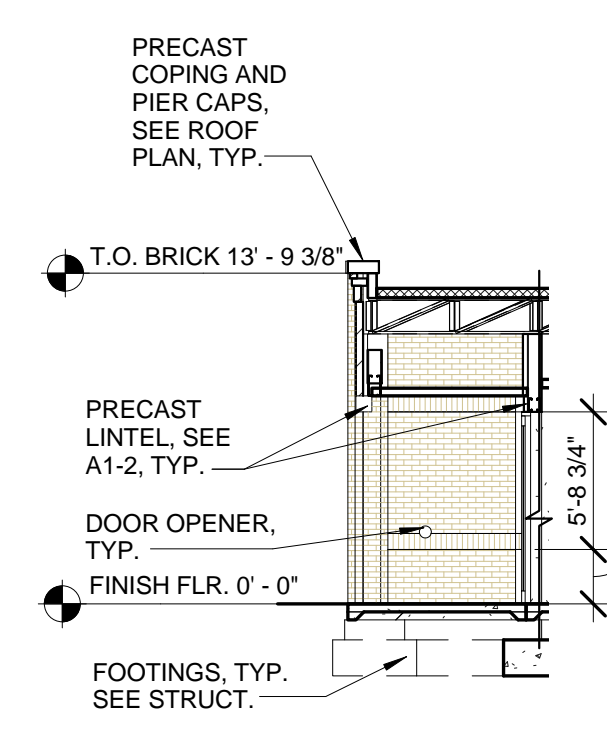
13 EAST GABLE CATACHESIS - A
1/8" = 1'-0"



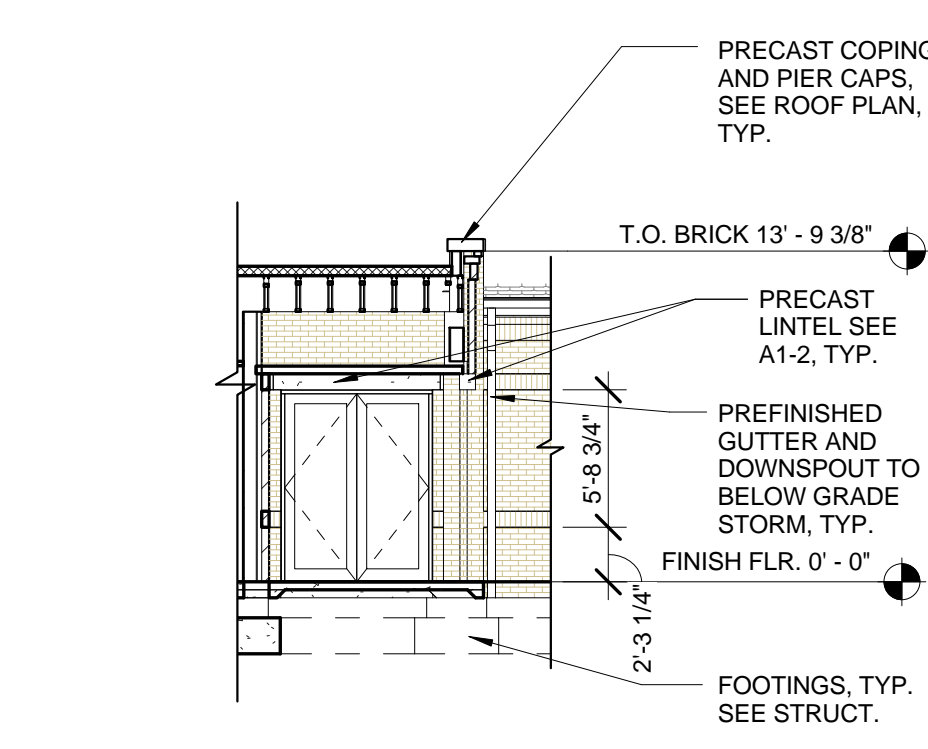
12 Elevation 3 - a
1/8" = 1'-0"



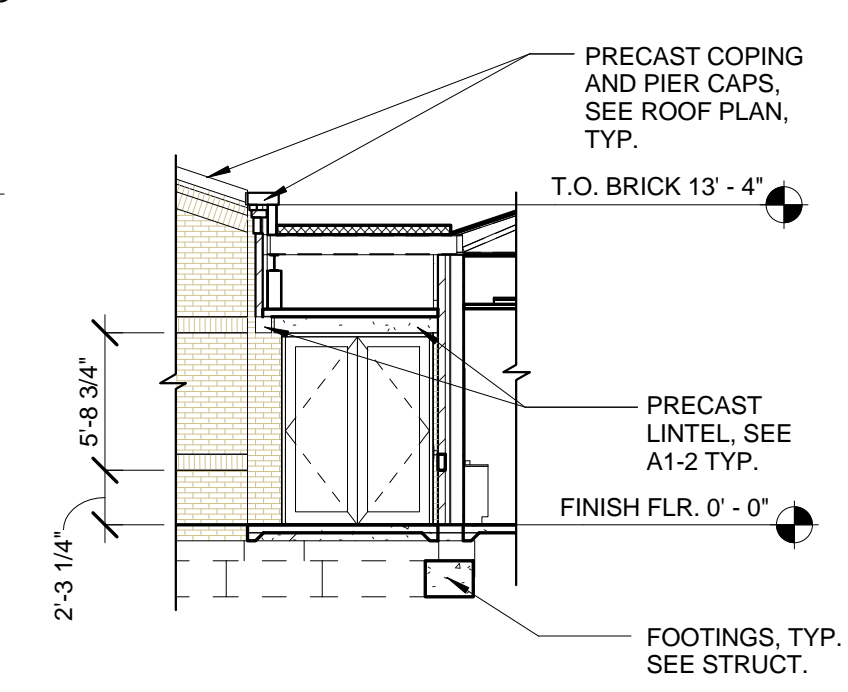
11 Elevation 1 - a
1/8" = 1'-0"



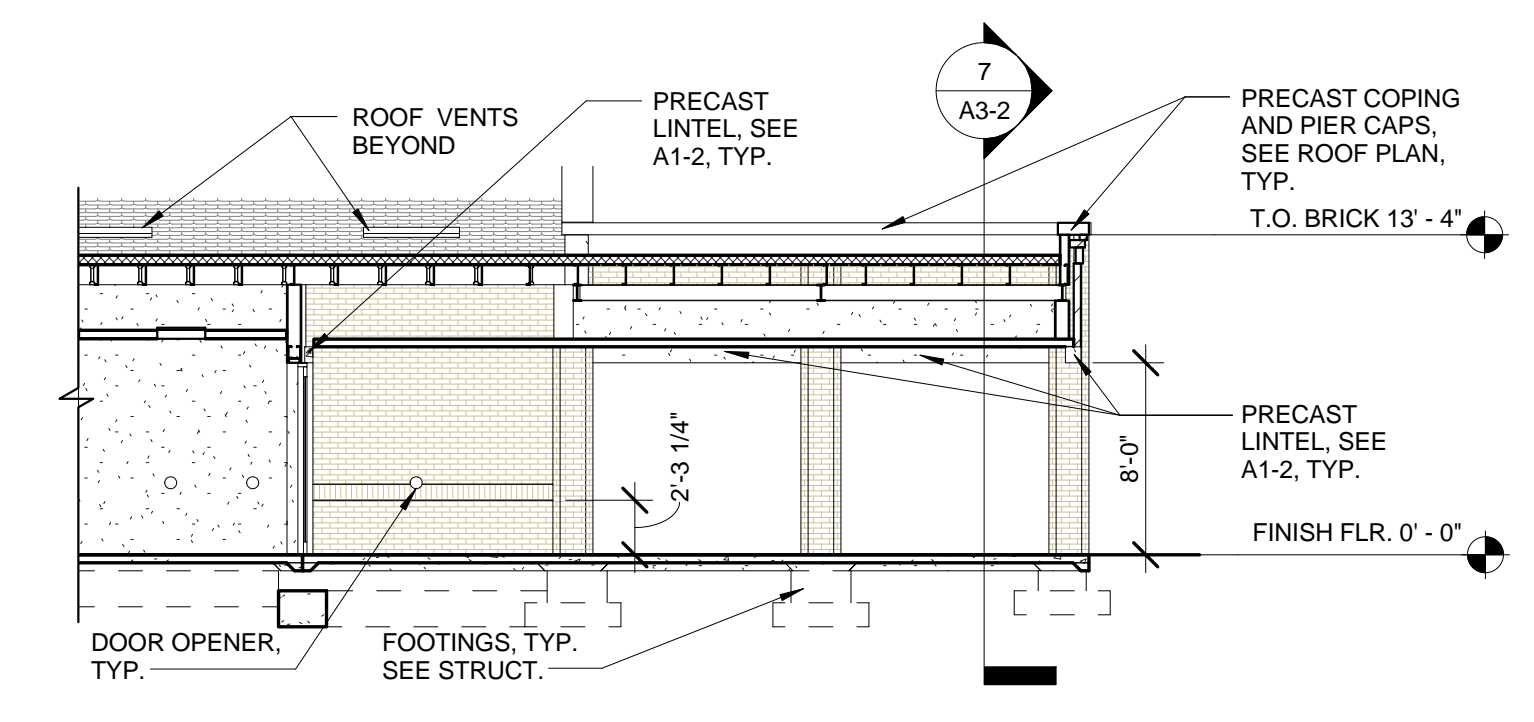
10 ELEVATION LKG. EAST @ VESTIBULE 161
1/8" = 1'-0"



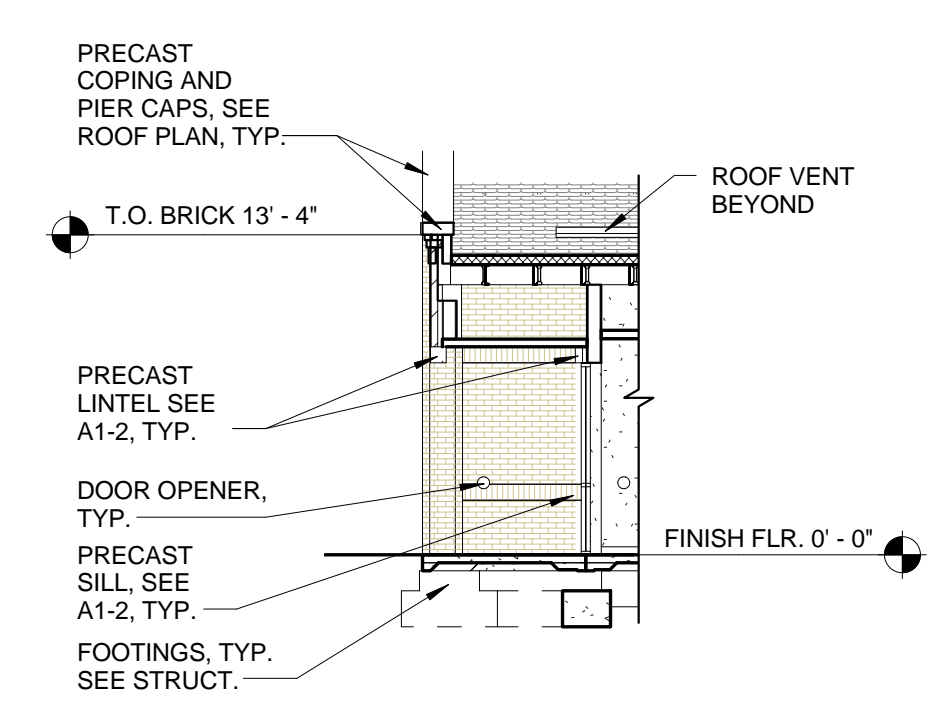
9 ELEVATION LKG. SOUTH @ VESTIBULE 161
1/8" = 1'-0"



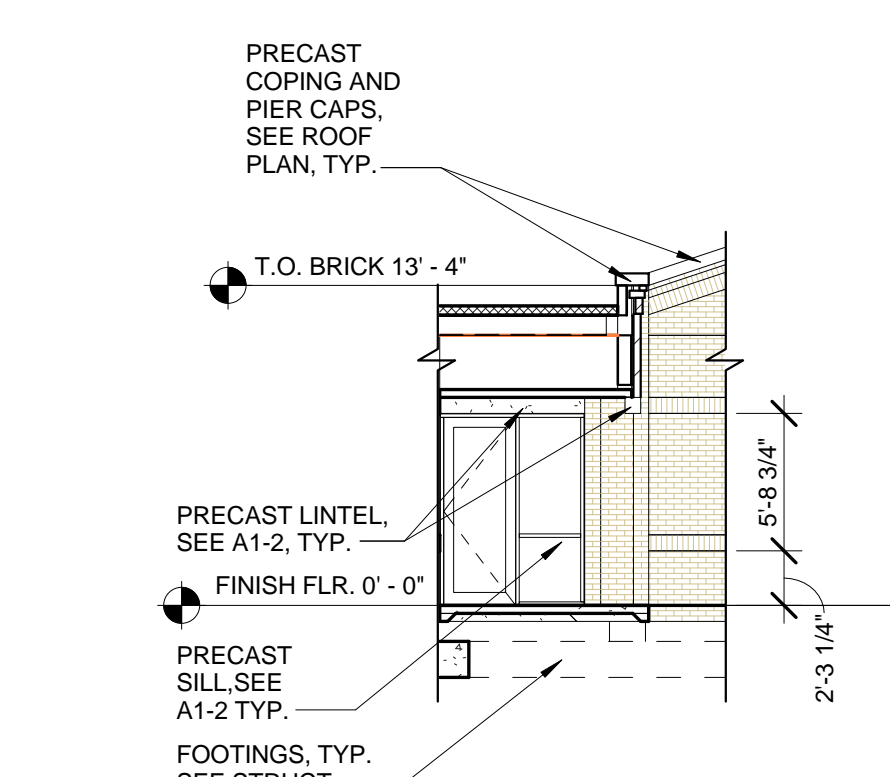
8 ELEVATION LKG. EAST @ VESTIBULE 171
1/8" = 1'-0"



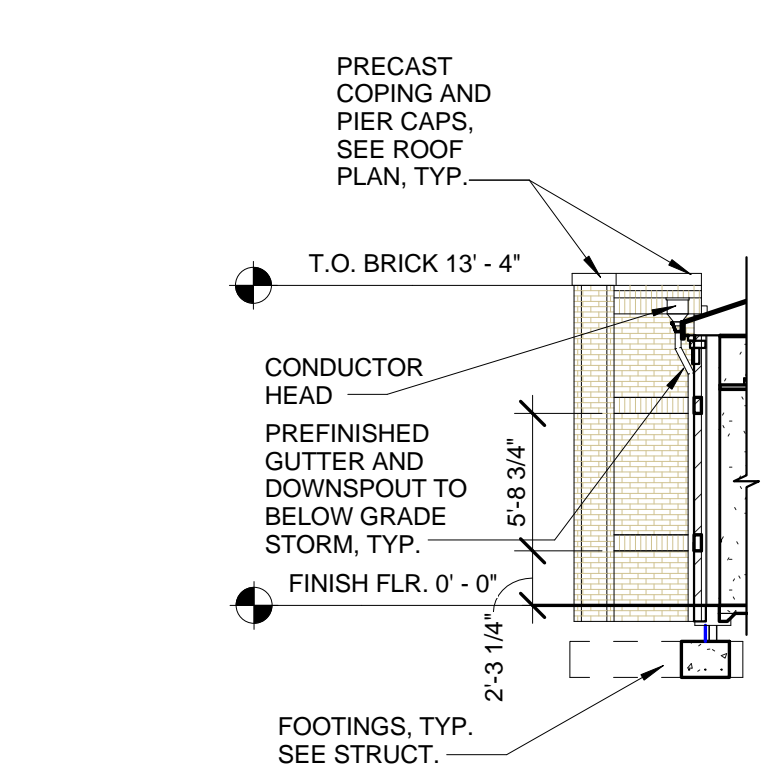
7 ELEVATION LKG. SOUTH @ VESTIBULE 171
1/8" = 1'-0"



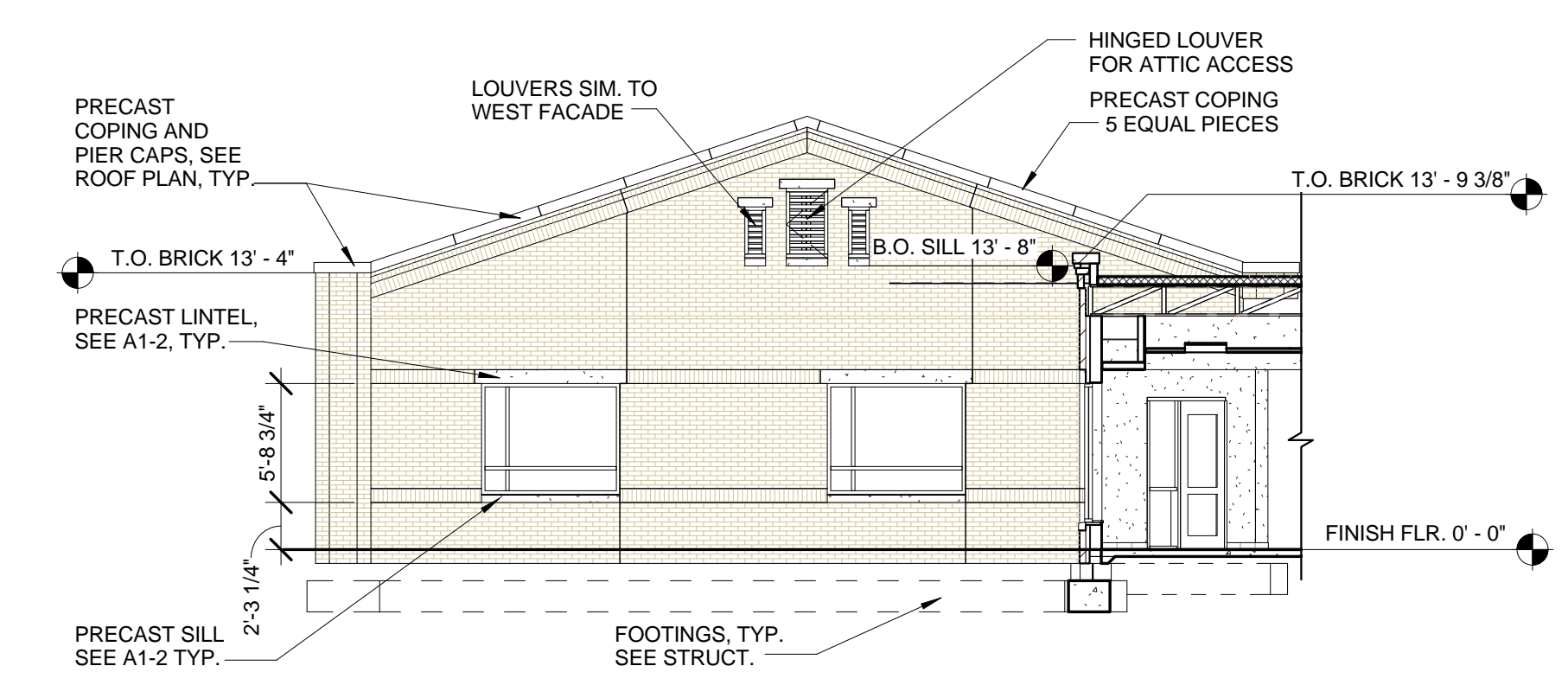
6 NORTH @ VEST. 121
1/8" = 1'-0"



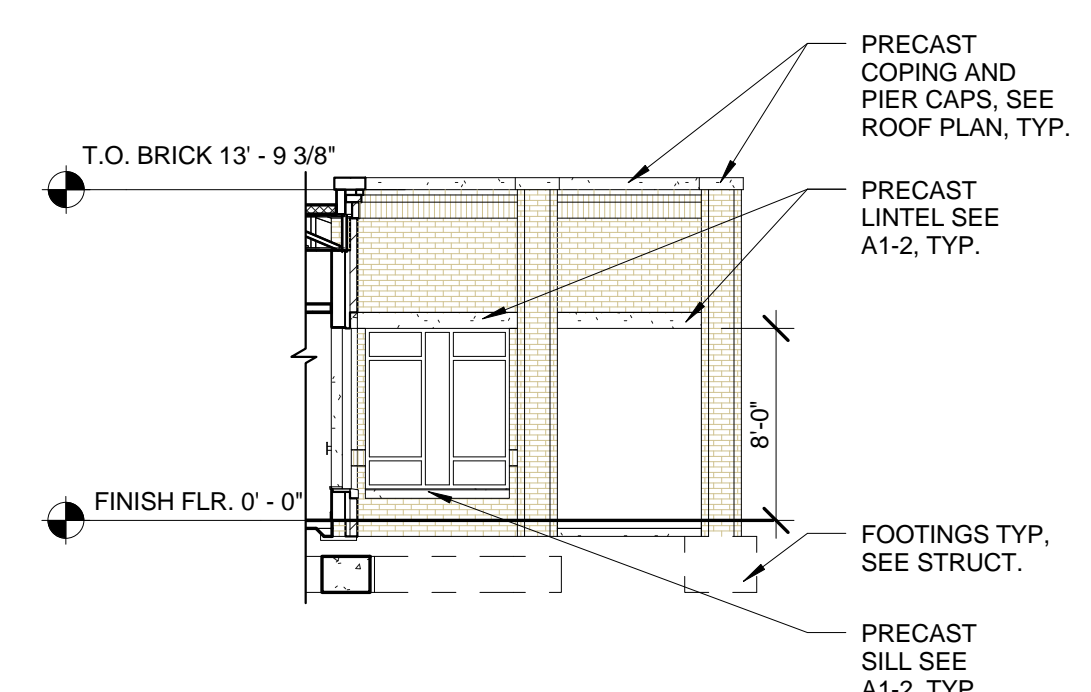
5 EAST @ VEST. 121
1/8" = 1'-0"



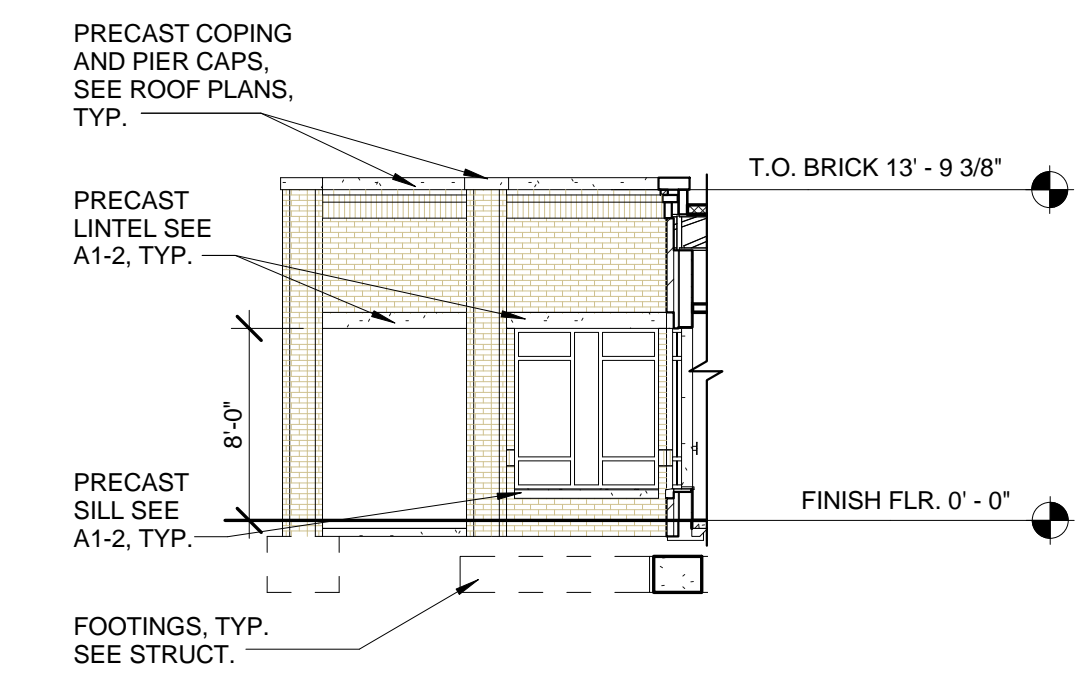
4 EAST @ VEST. a
1/8" = 1'-0"



3 ELEVATION LKG. WEST
1/8" = 1'-0"



2 ELEVATION LKG. EAST @ VESTIBULE 100
1/8" = 1'-0"



1 ELEVATION LKG. WEST @ VESTIBULE
1/8" = 1'-0"