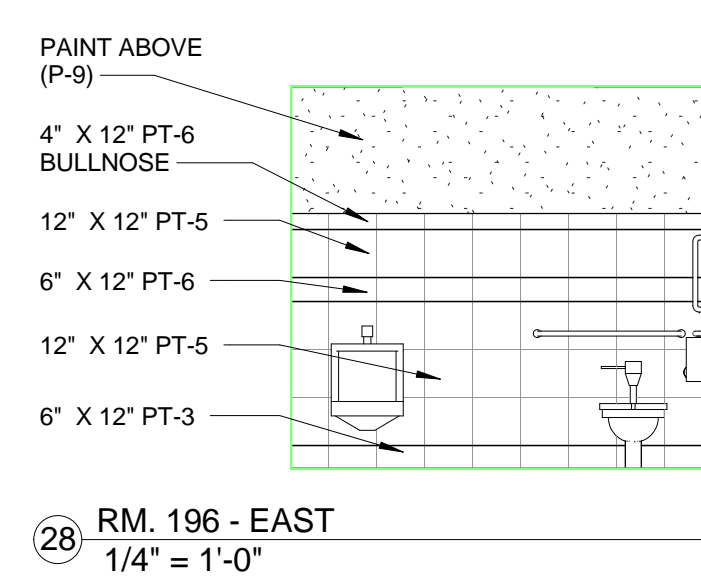
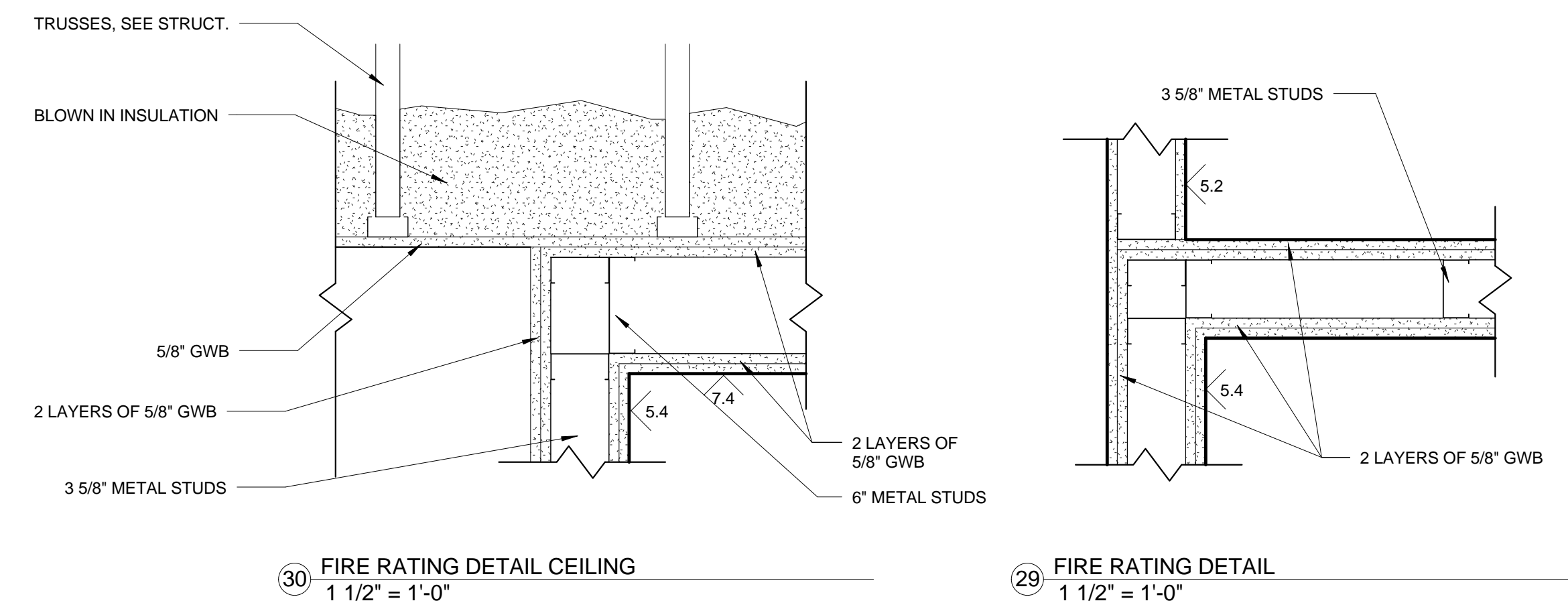
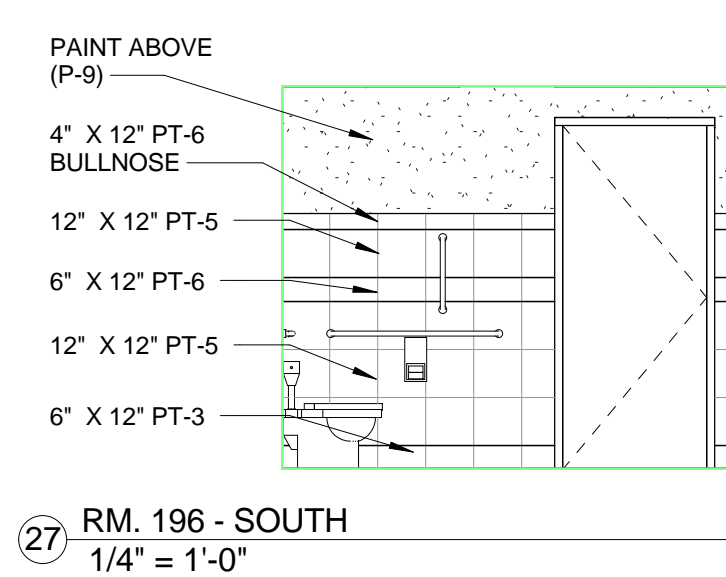




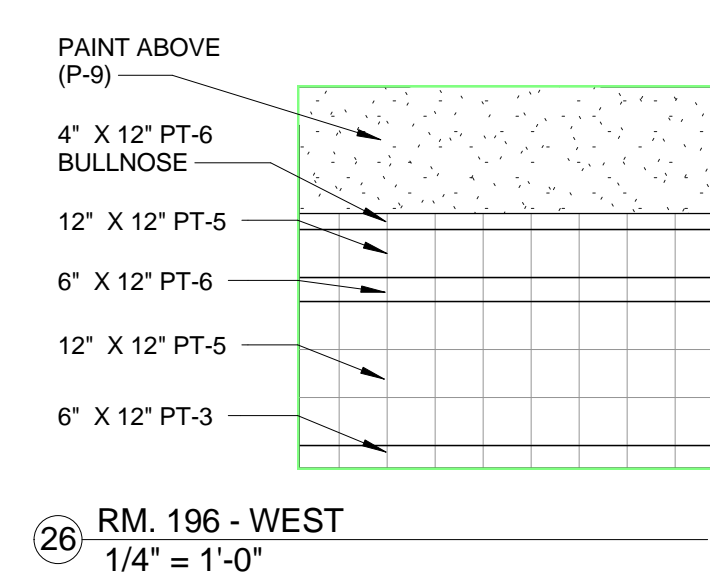
NO.	DATE	BY	DESCRIPTION



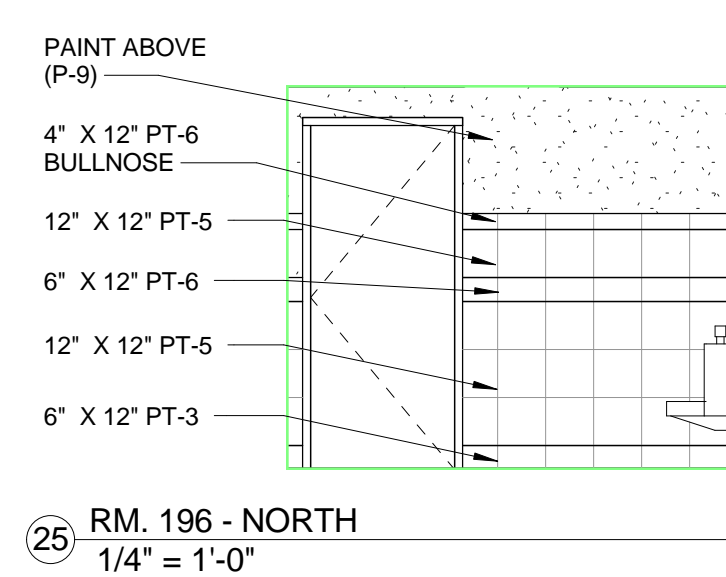
28 RM. 196 - EAST  
1/4" = 1'-0"



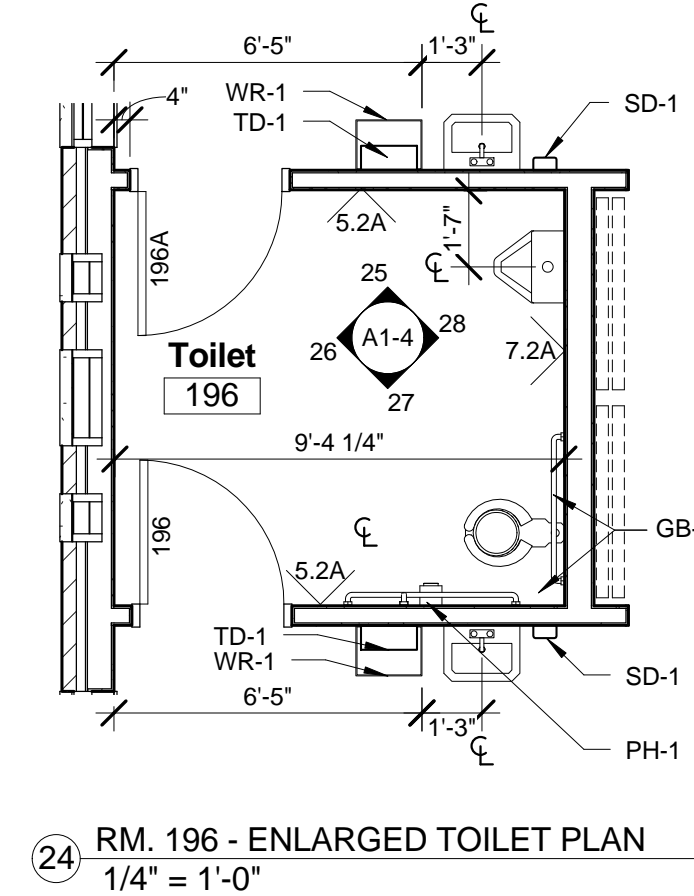
27 RM. 196 - SOUTH  
1/4" = 1'-0"



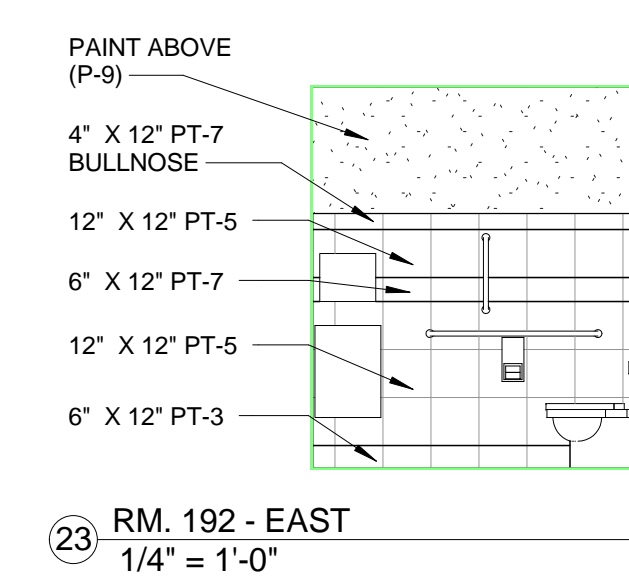
26 RM. 196 - WEST  
1/4" = 1'-0"



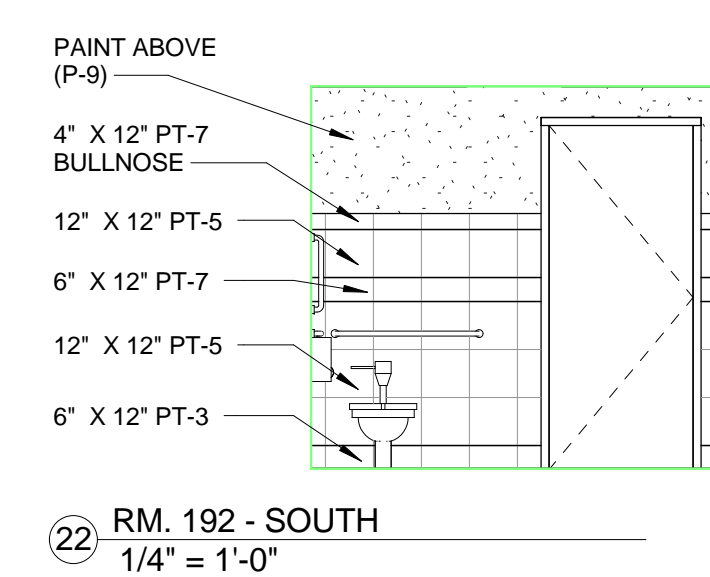
25 RM. 196 - NORTH  
1/4" = 1'-0"



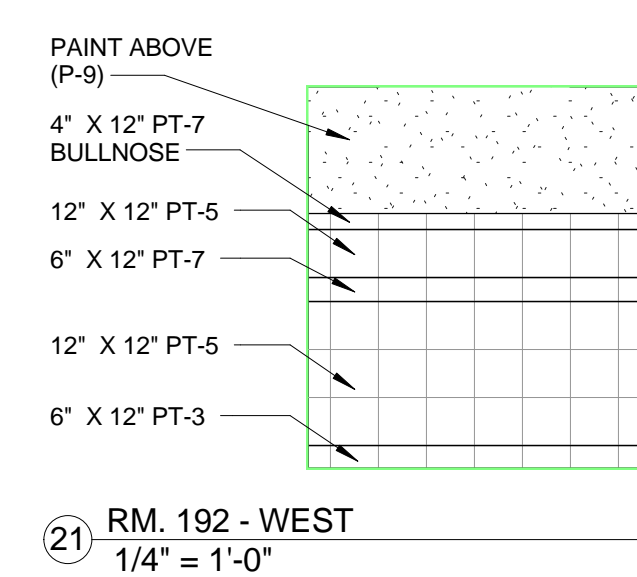
24 RM. 196 - ENLARGED TOILET PLAN  
1/4" = 1'-0"



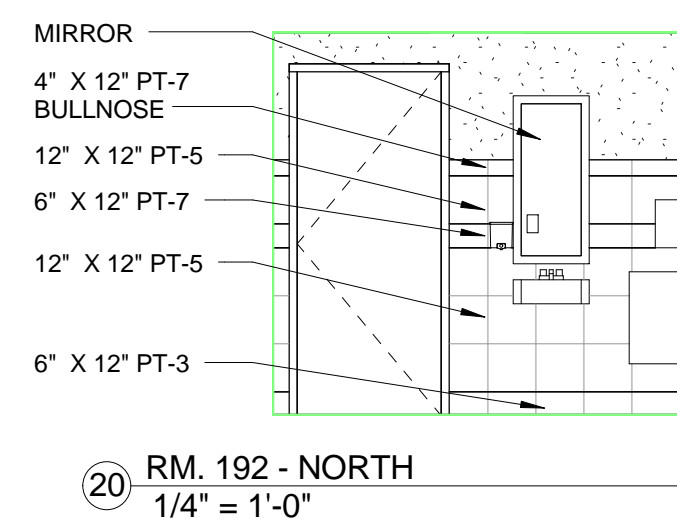
23 RM. 192 - EAST  
1/4" = 1'-0"



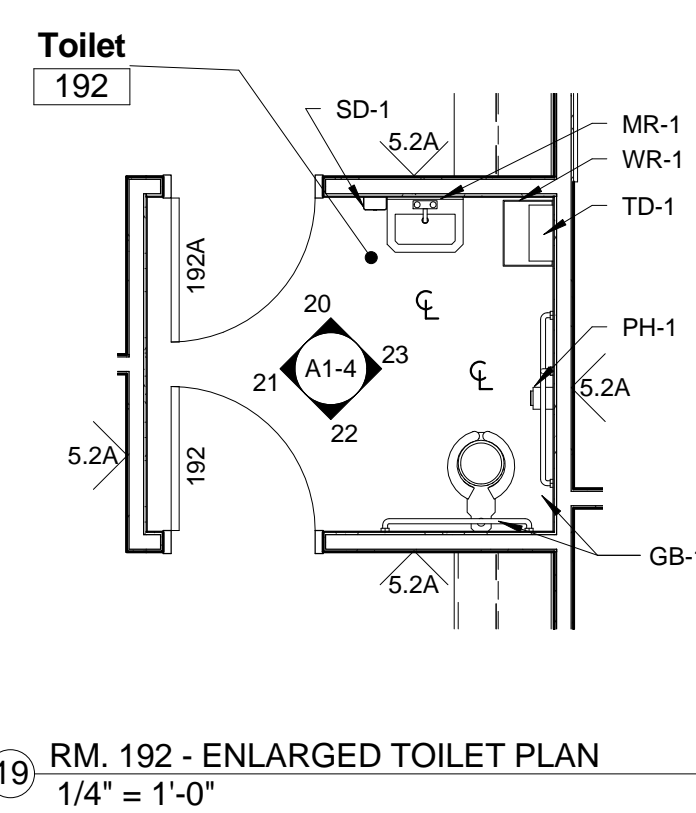
22 RM. 192 - SOUTH  
1/4" = 1'-0"



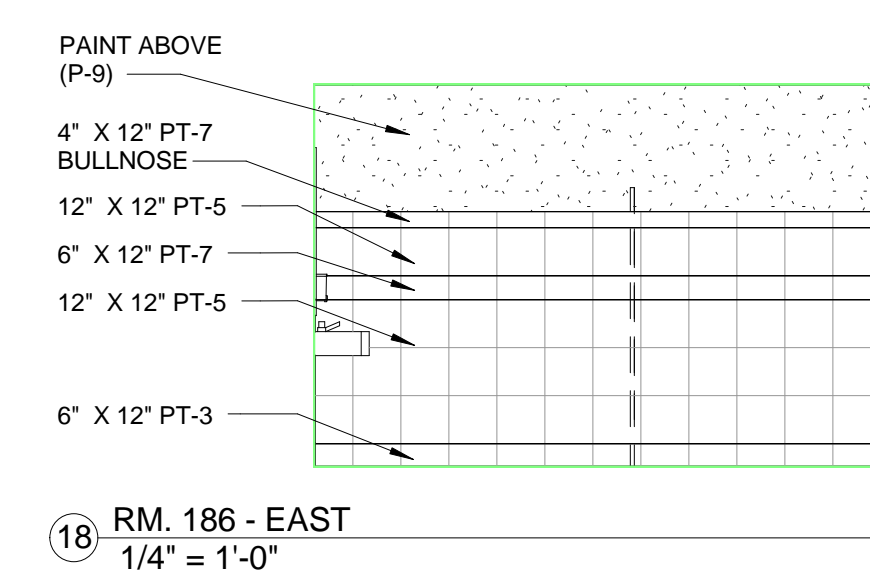
21 RM. 192 - WEST  
1/4" = 1'-0"



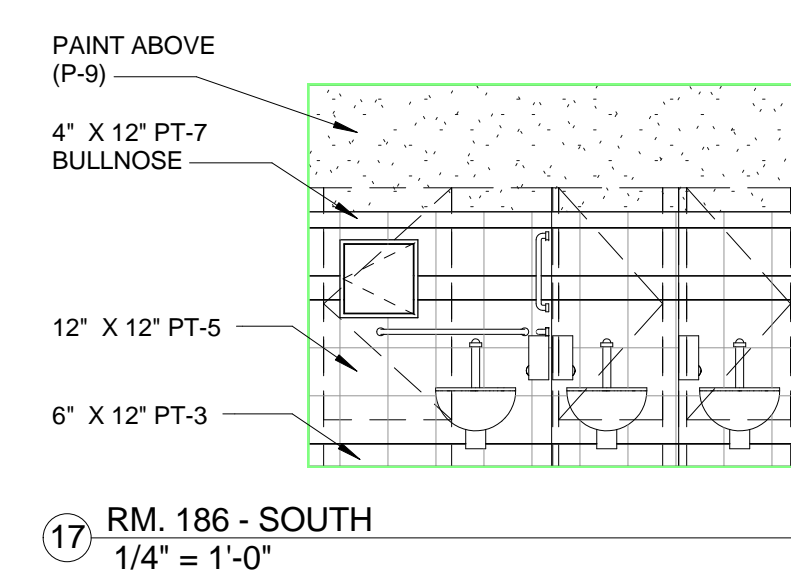
20 RM. 192 - NORTH  
1/4" = 1'-0"



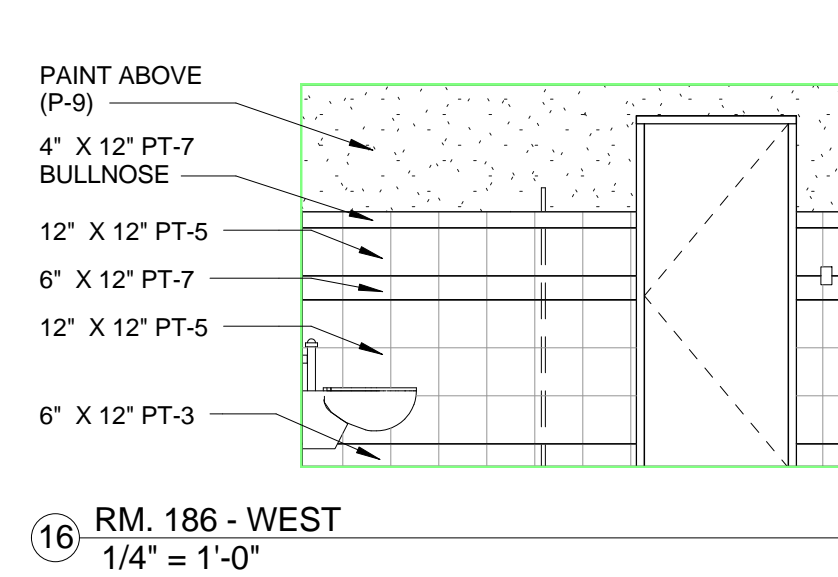
19 RM. 192 - ENLARGED TOILET PLAN  
1/4" = 1'-0"



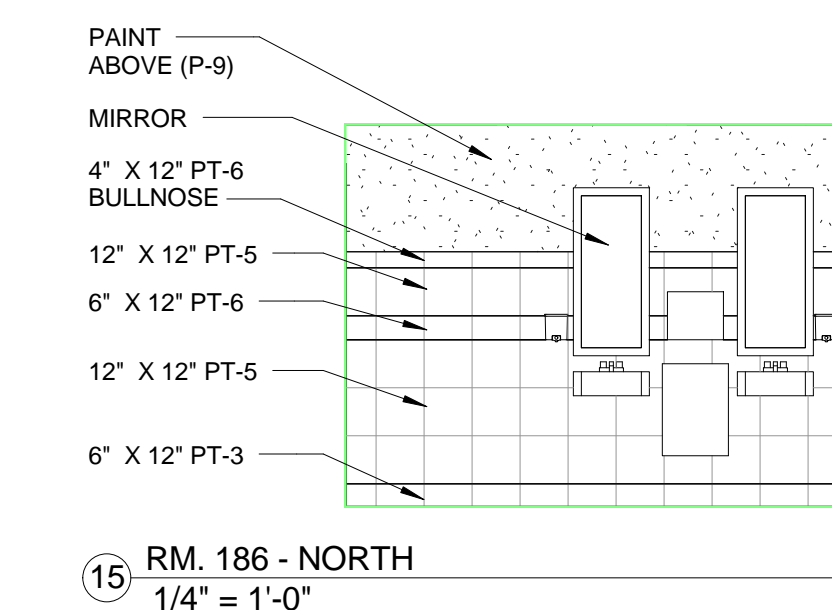
18 RM. 186 - EAST  
1/4" = 1'-0"



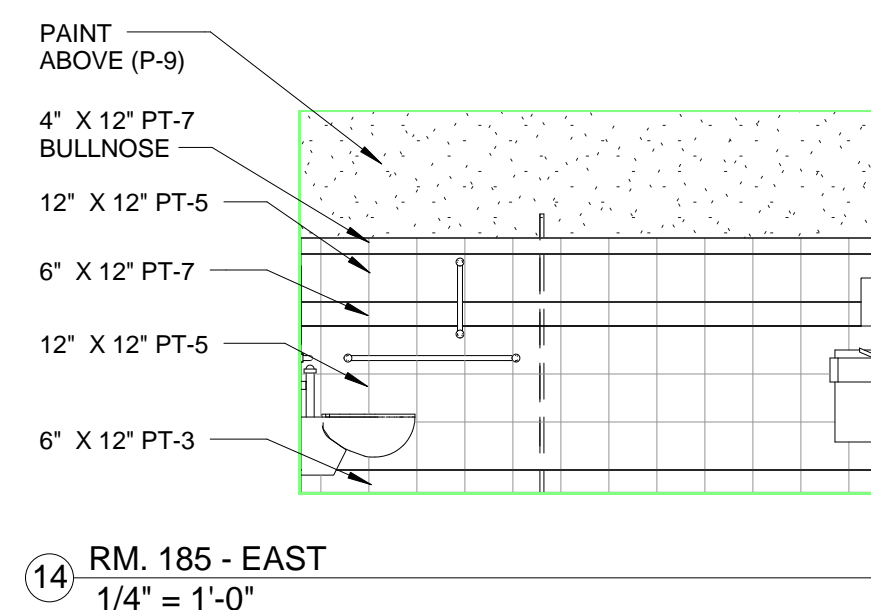
17 RM. 186 - SOUTH  
1/4" = 1'-0"



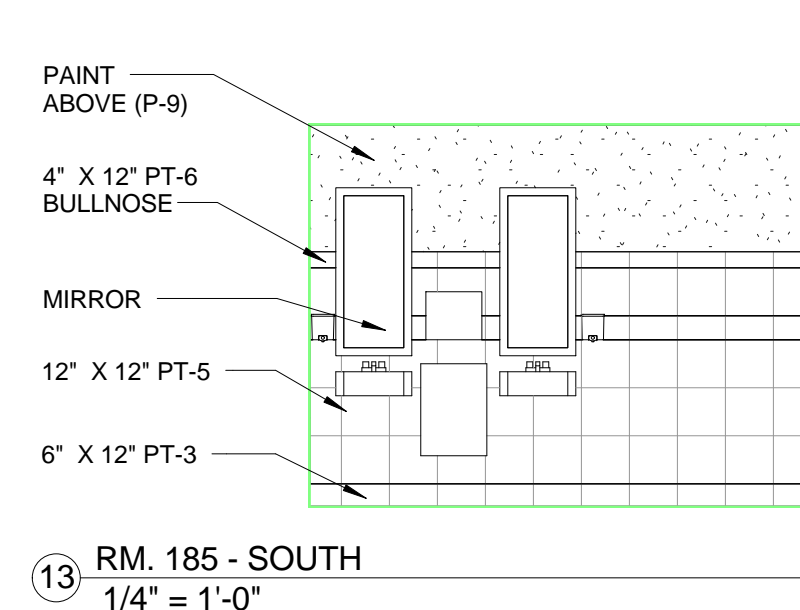
16 RM. 186 - WEST  
1/4" = 1'-0"



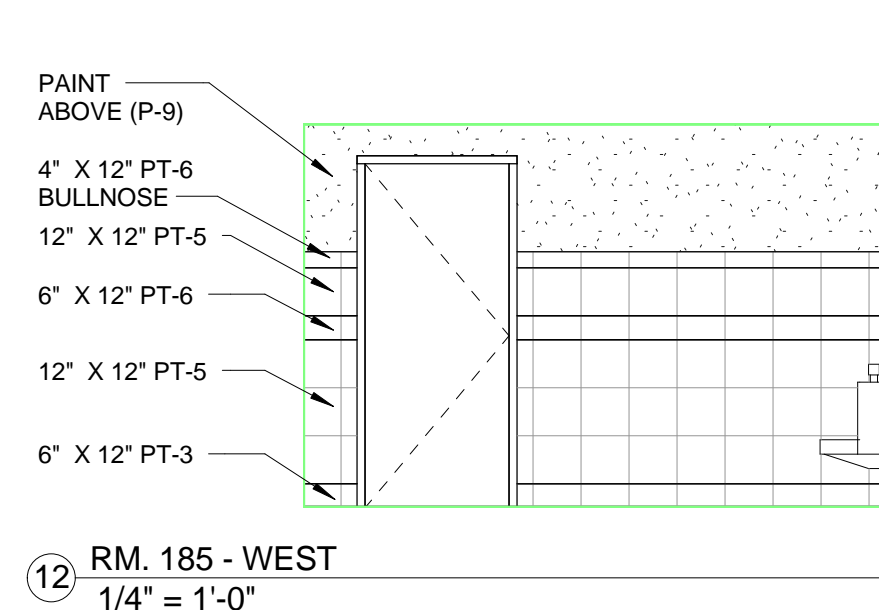
15 RM. 186 - NORTH  
1/4" = 1'-0"



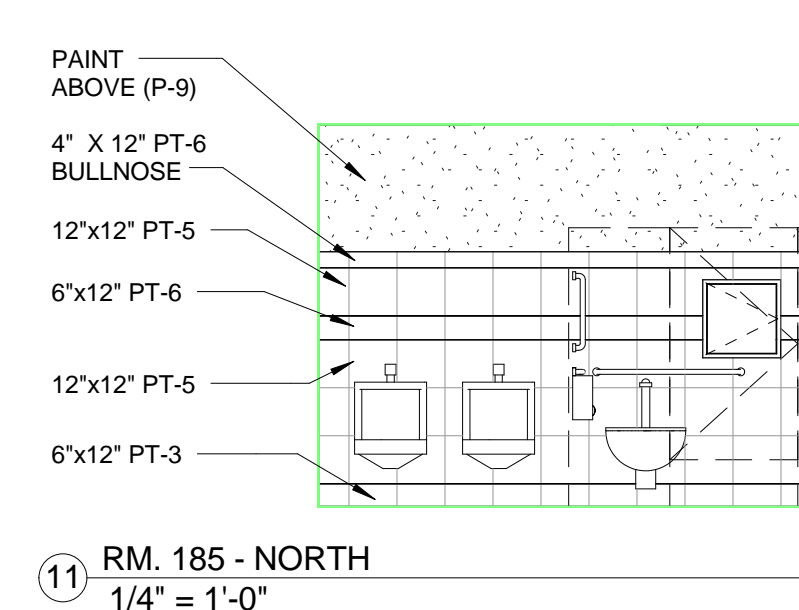
14 RM. 185 - EAST  
1/4" = 1'-0"



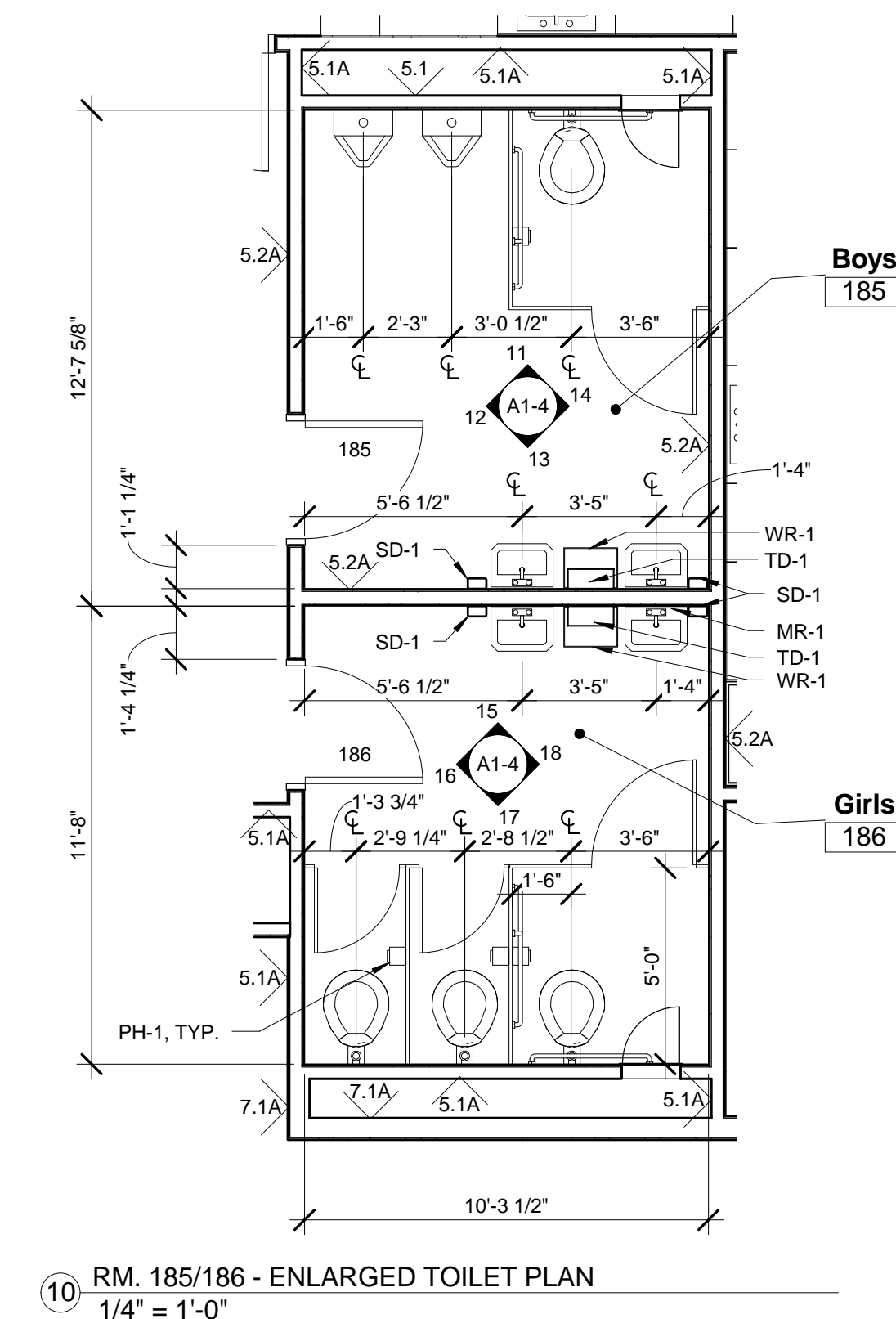
13 RM. 185 - SOUTH  
1/4" = 1'-0"



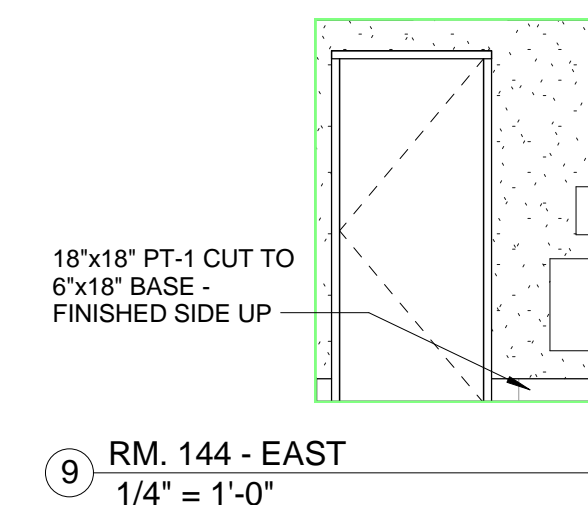
12 RM. 185 - WEST  
1/4" = 1'-0"



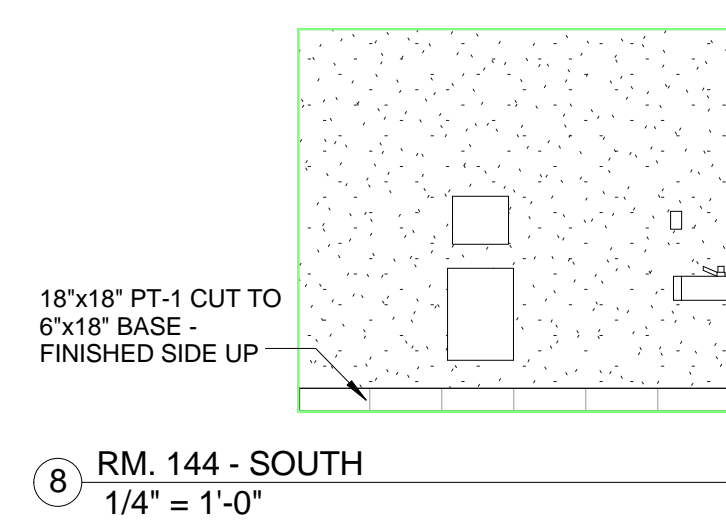
11 RM. 185 - NORTH  
1/4" = 1'-0"



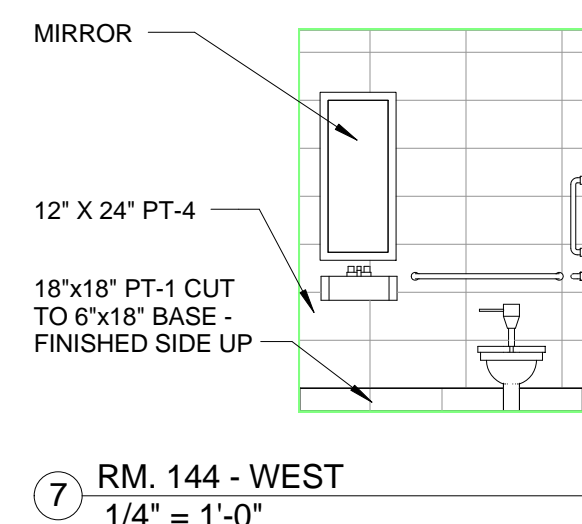
10 RM. 185/186 - ENLARGED TOILET PLAN  
1/4" = 1'-0"



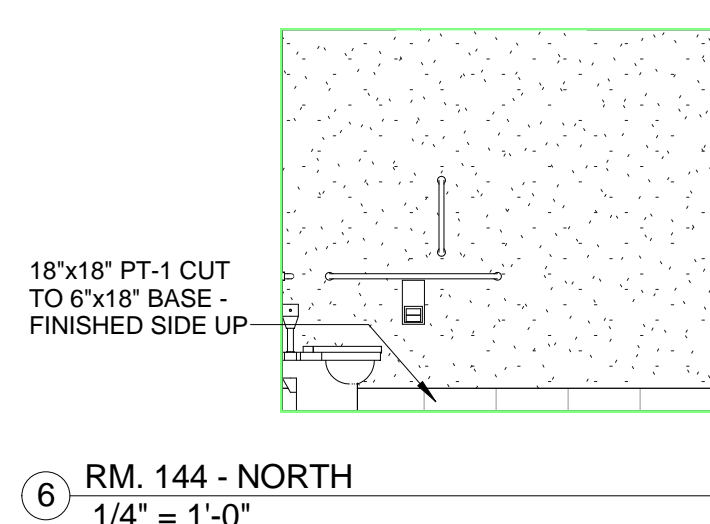
9 RM. 144 - EAST  
1/4" = 1'-0"



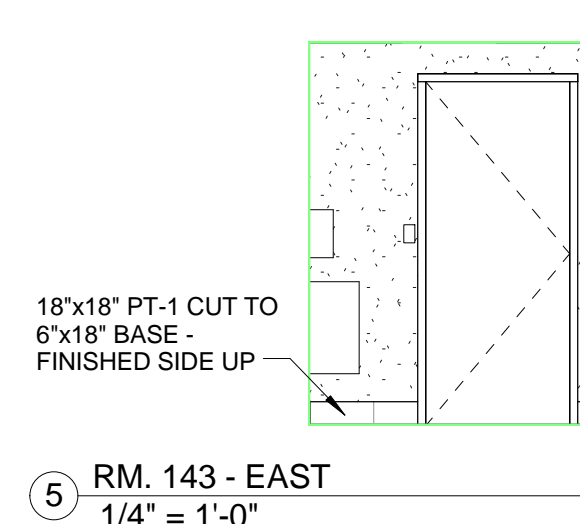
8 RM. 144 - SOUTH  
1/4" = 1'-0"



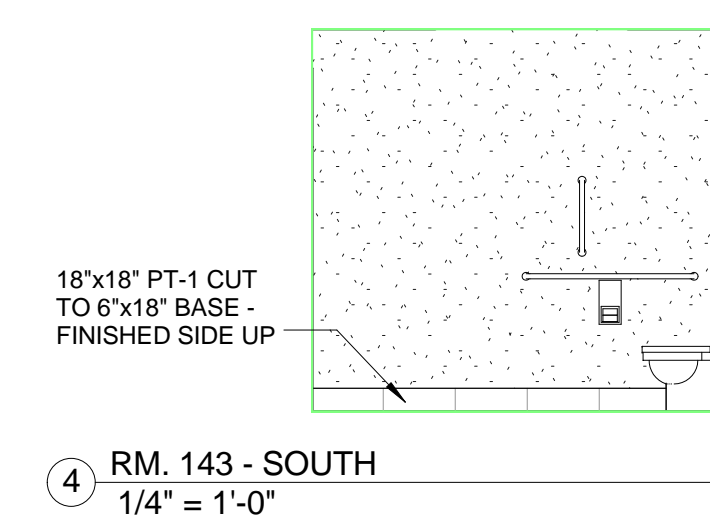
7 RM. 144 - WEST  
1/4" = 1'-0"



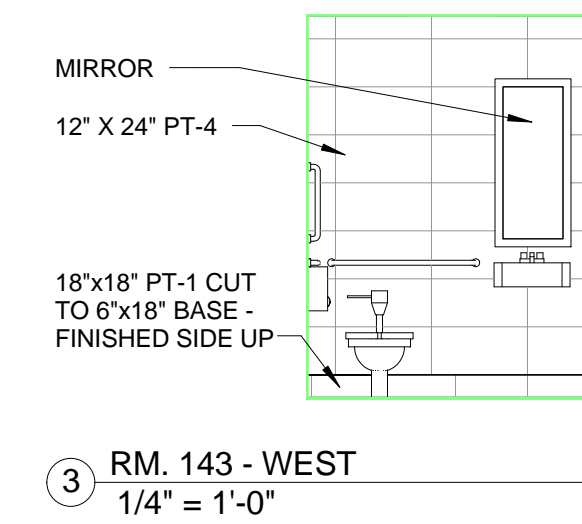
6 RM. 144 - NORTH  
1/4" = 1'-0"



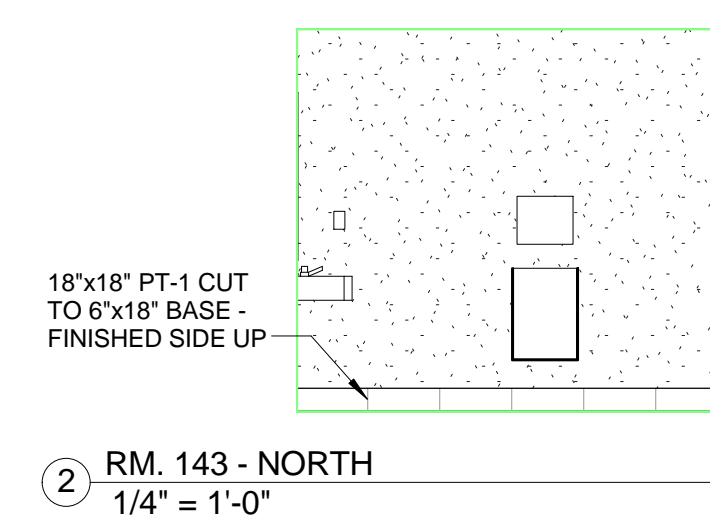
5 RM. 143 - EAST  
1/4" = 1'-0"



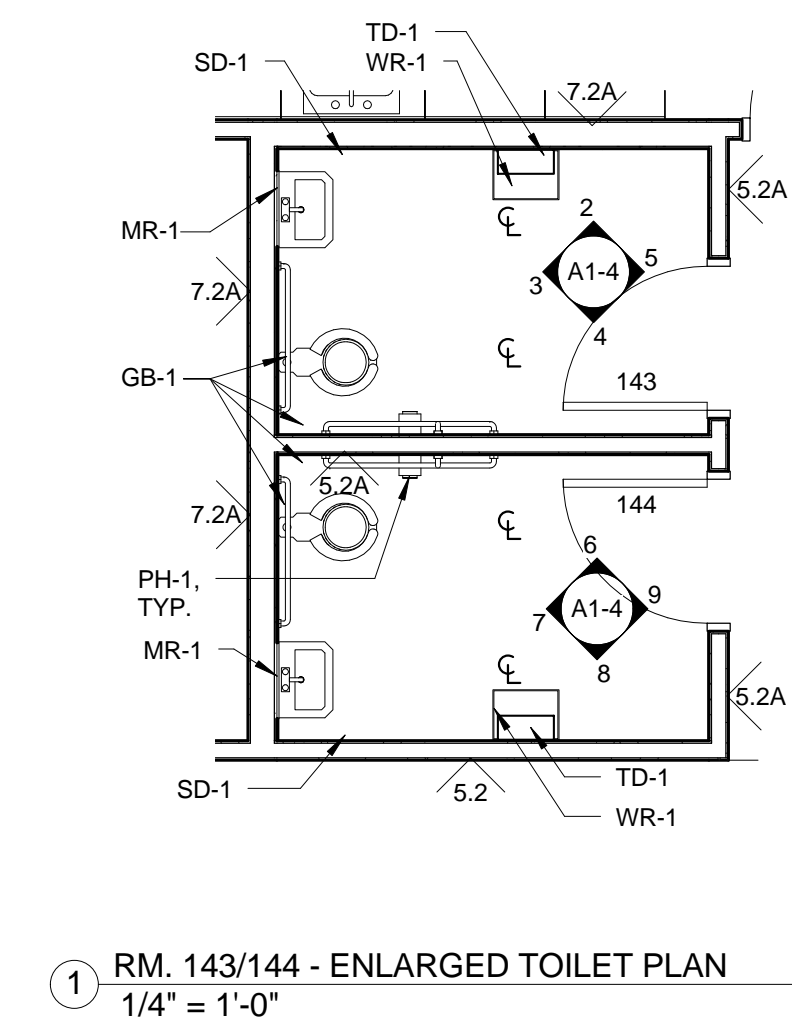
4 RM. 143 - SOUTH  
1/4" = 1'-0"



3 RM. 143 - WEST  
1/4" = 1'-0"



2 RM. 143 - NORTH  
1/4" = 1'-0"



1 RM. 143/144 - ENLARGED TOILET PLAN  
1/4" = 1'-0"