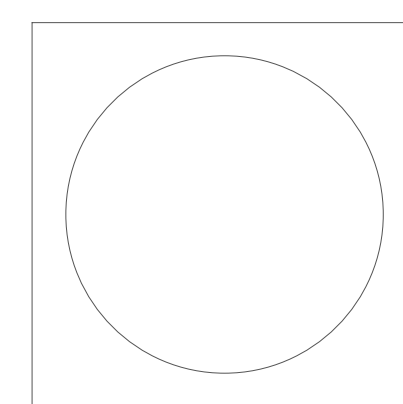


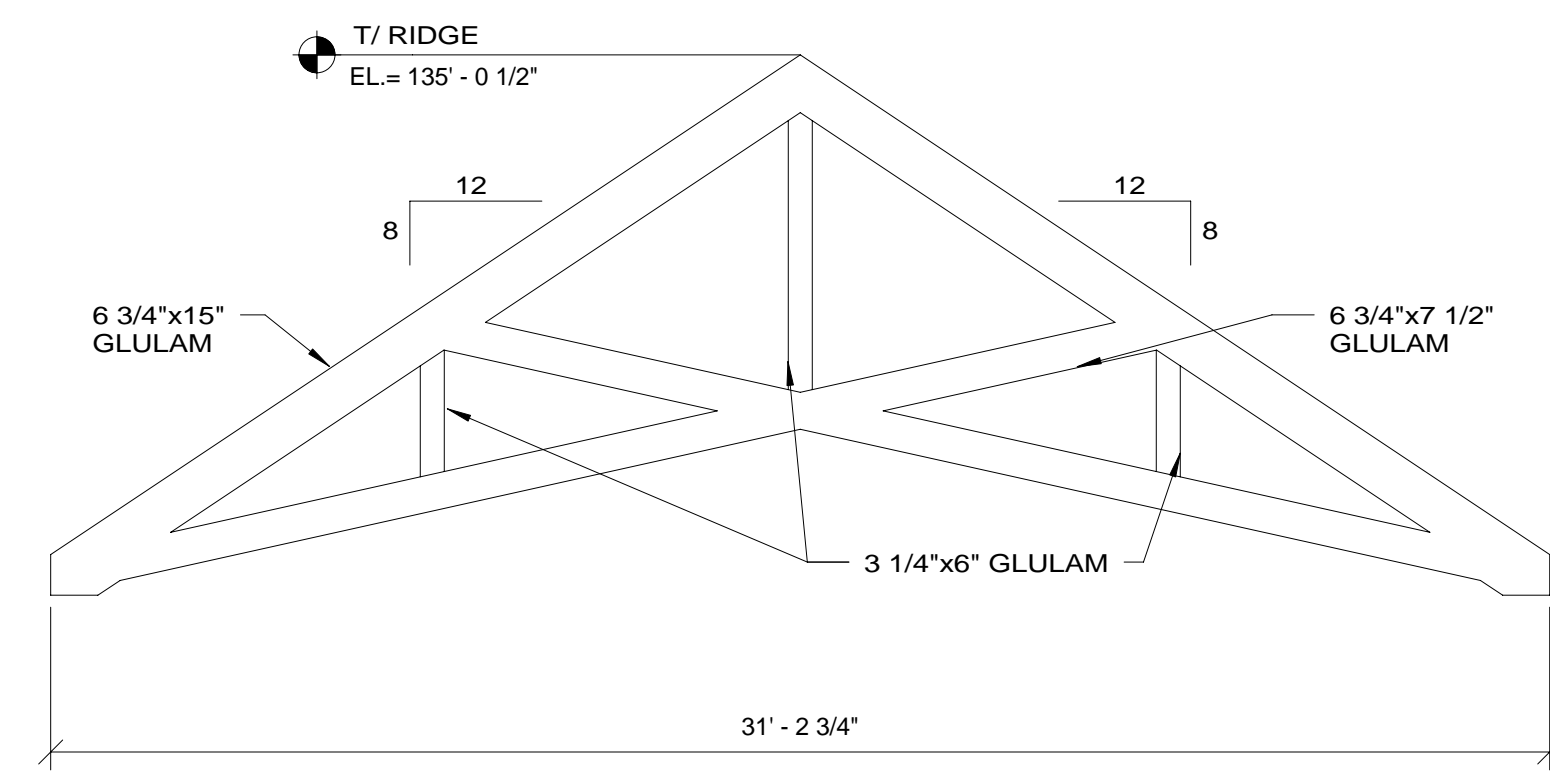
**NOTES**

- SEE DWG. S0-0 FOR ADDITIONAL INFORMATION.
- REFERENCE ELEVATION 100'-0" = XXXX.X' CIVIL ELEVATION.
- U.N.O. - DENOTES: UNLESS NOTED OTHERWISE
- G.L. - DENOTES: GLULAMINATED WOOD BEAM
- W.P. - DENOTES: WORKING POINT
- H.P. - DENOTES: HIGH POINT
- L.P. - DENOTES: LOW POINT
- - DENOTES: MOMENT CONNECTION
- ◻ - DENOTES: BEAM FRAMING INTO COLUMN
- ⊖ - DENOTES: BEAM OVER COLUMN
- W8x13 [112'-0"] - DENOTES: T/STL ELEVATION, IF ONLY (1) IS SHOWN, T/STL ELEVATION SAME AT BOTH ENDS
- 600 S 162-43 - DENOTES: LIGHT METAL FRAMING

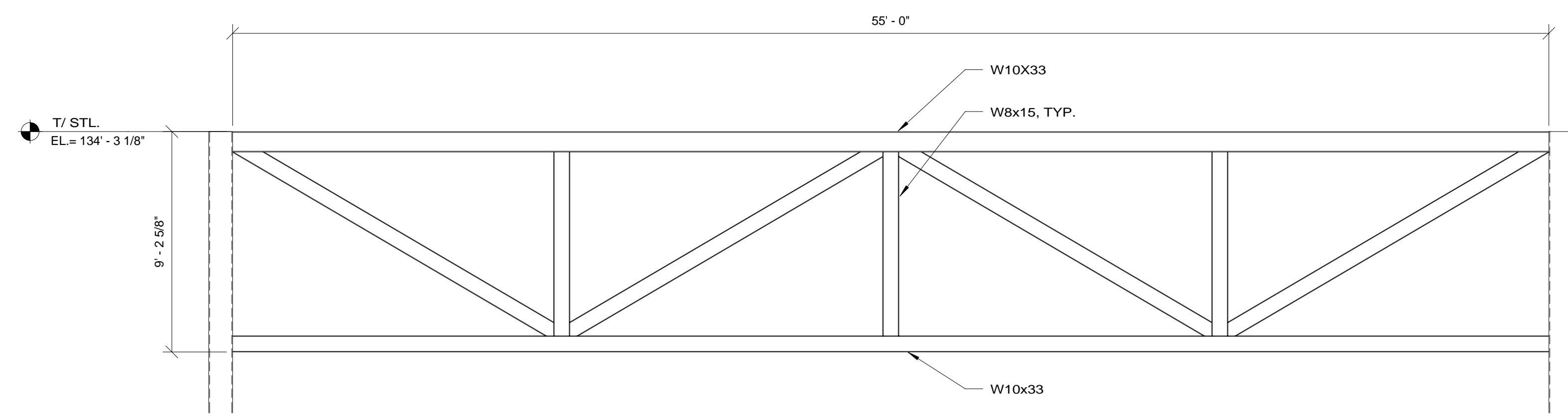
DEPTH INCHES  
MEMBER TYPE S = STUD T = TRACK  
METAL THICKNESS IN INCHES  
RIBS FLANGE WIDTH IN FEET



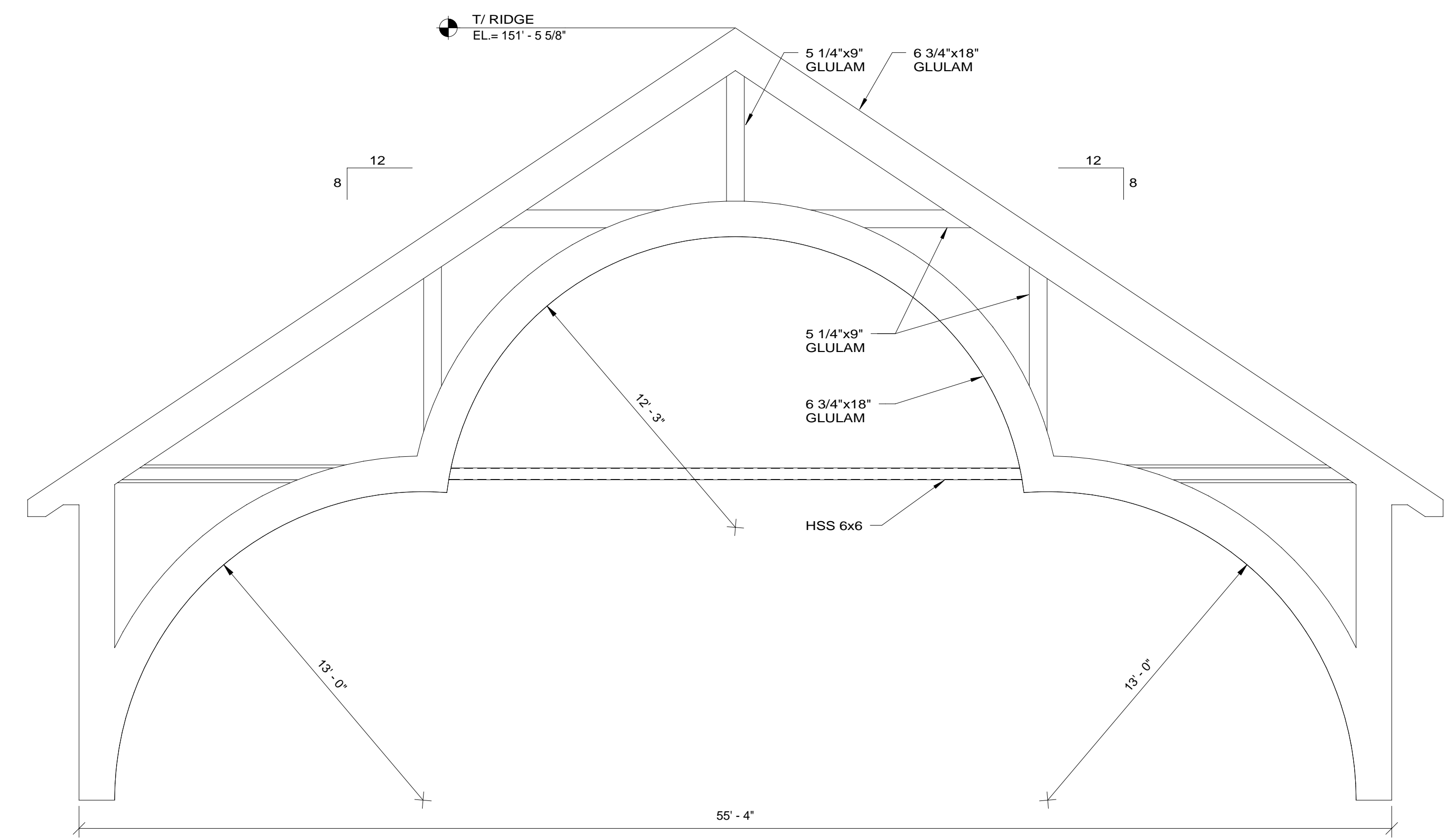
no.	description	by	date



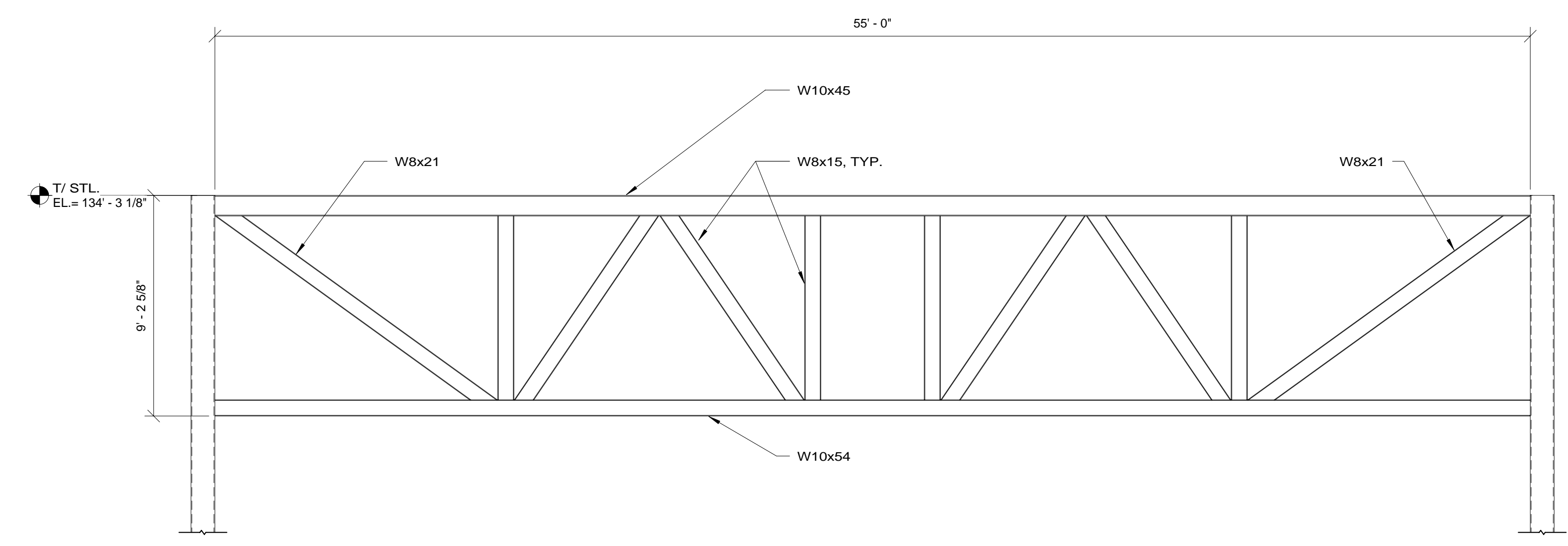
5 TRUSS 5 PROFILE  
1/4" = 1'-0"



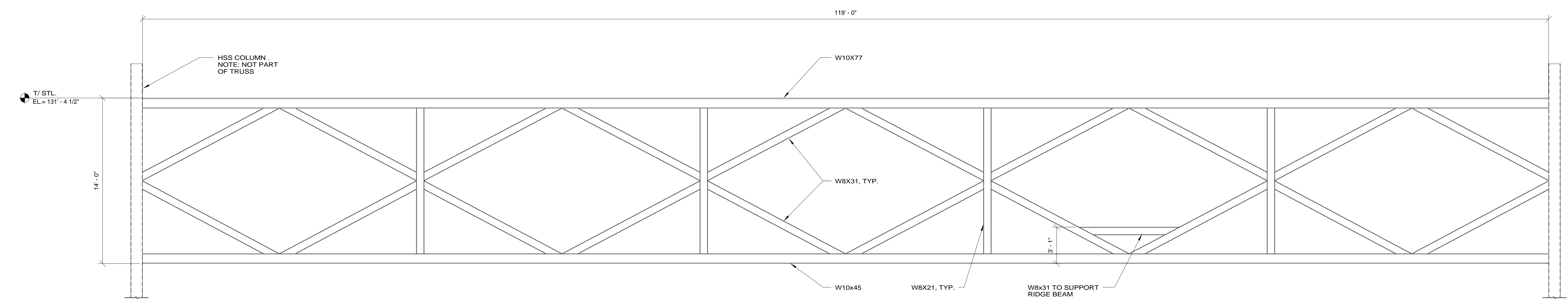
4 TRUSS 4 PROFILE  
1/4" = 1'-0"



2 TRUSS 2 PROFILE  
1/4" = 1'-0"



3 TRUSS 3 PROFILE  
1/4" = 1'-0"



1 TRUSS 1 PROFILE  
1/4" = 1'-0"