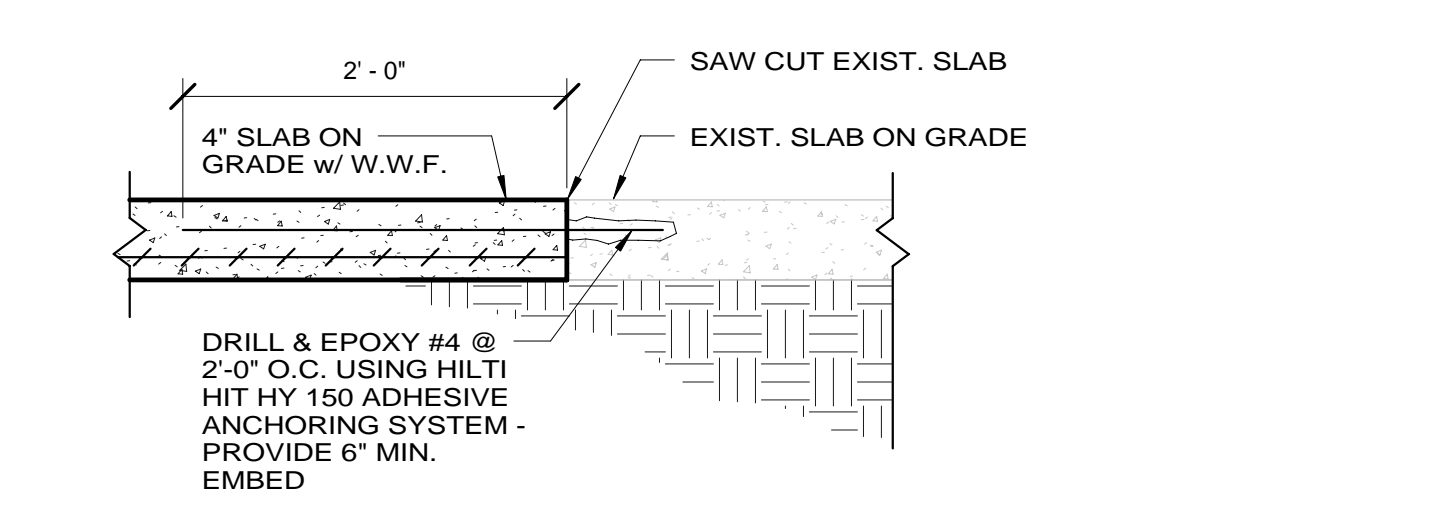
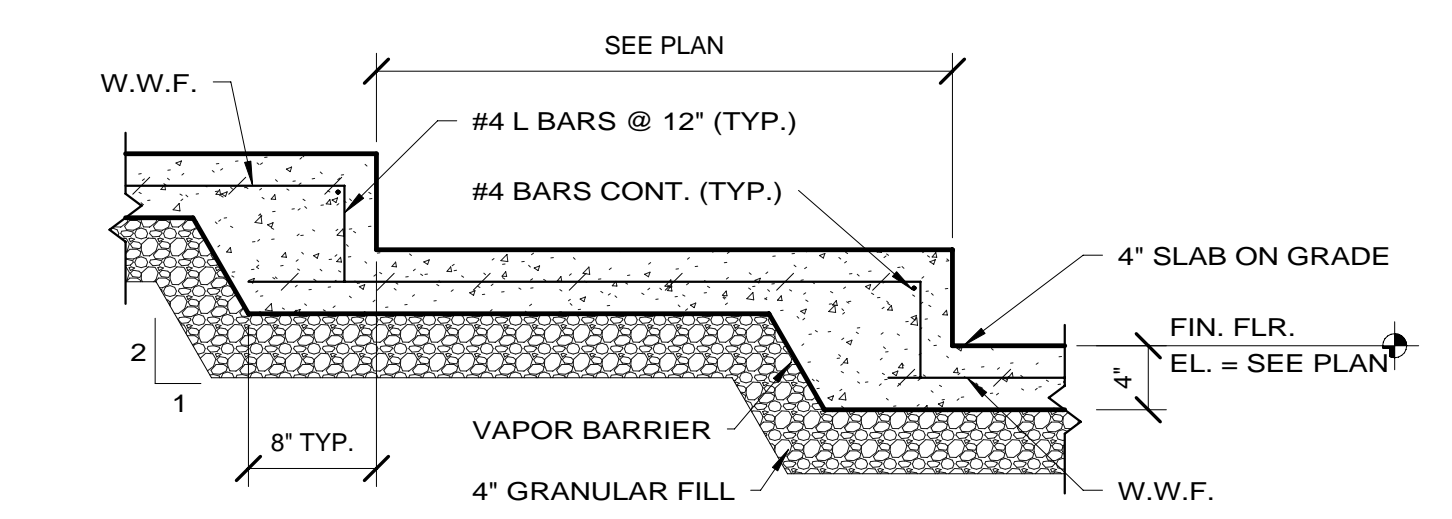


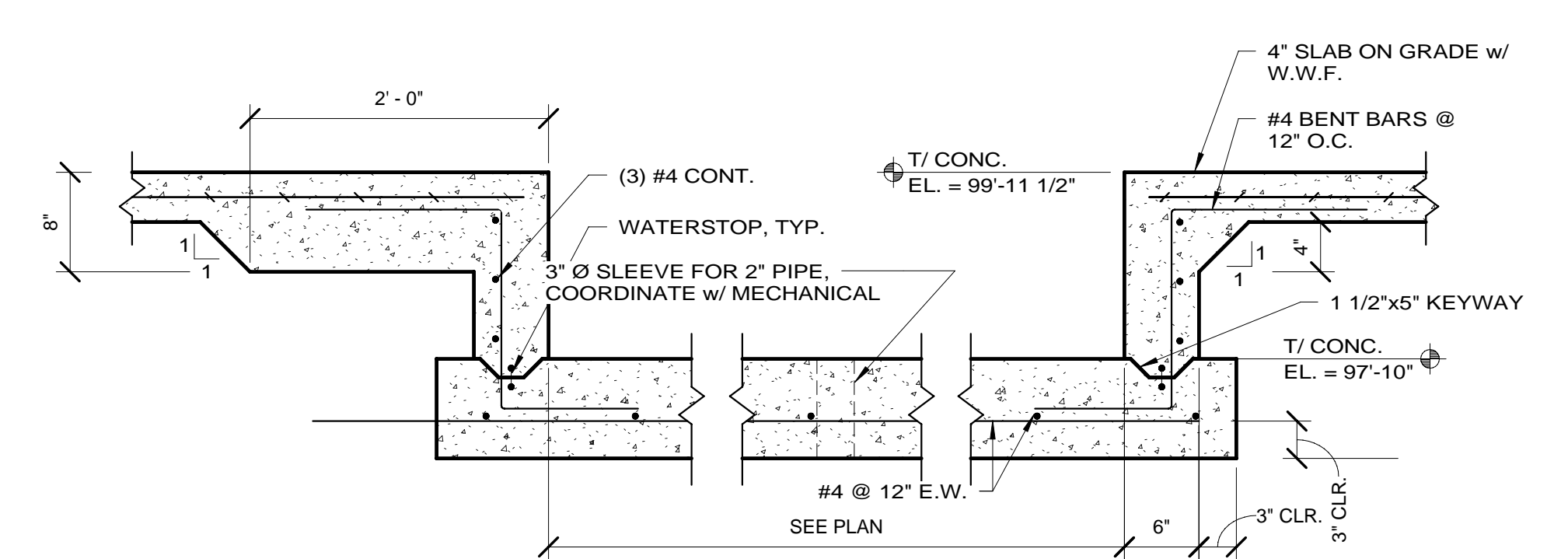
NO.	DATE	BY	DESCRIPTION



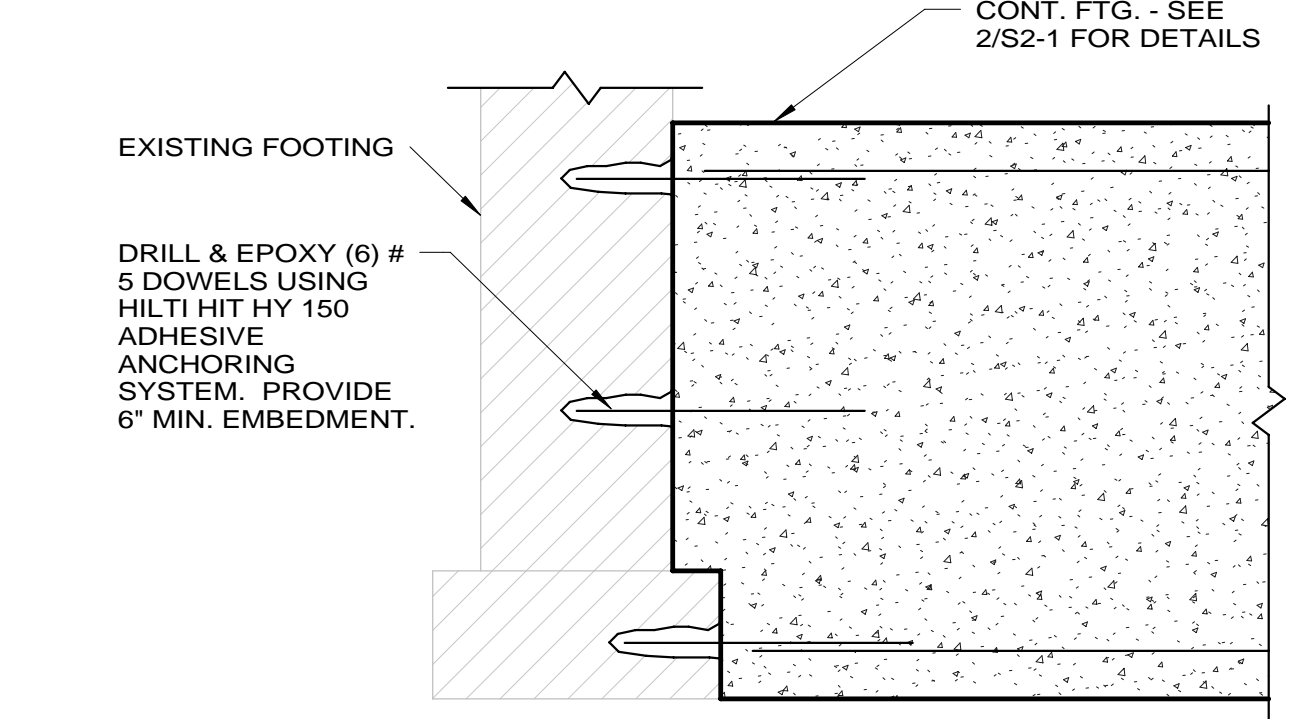
14 NEW TO EXISTING SLAB DETAIL  
1" = 1'-0"



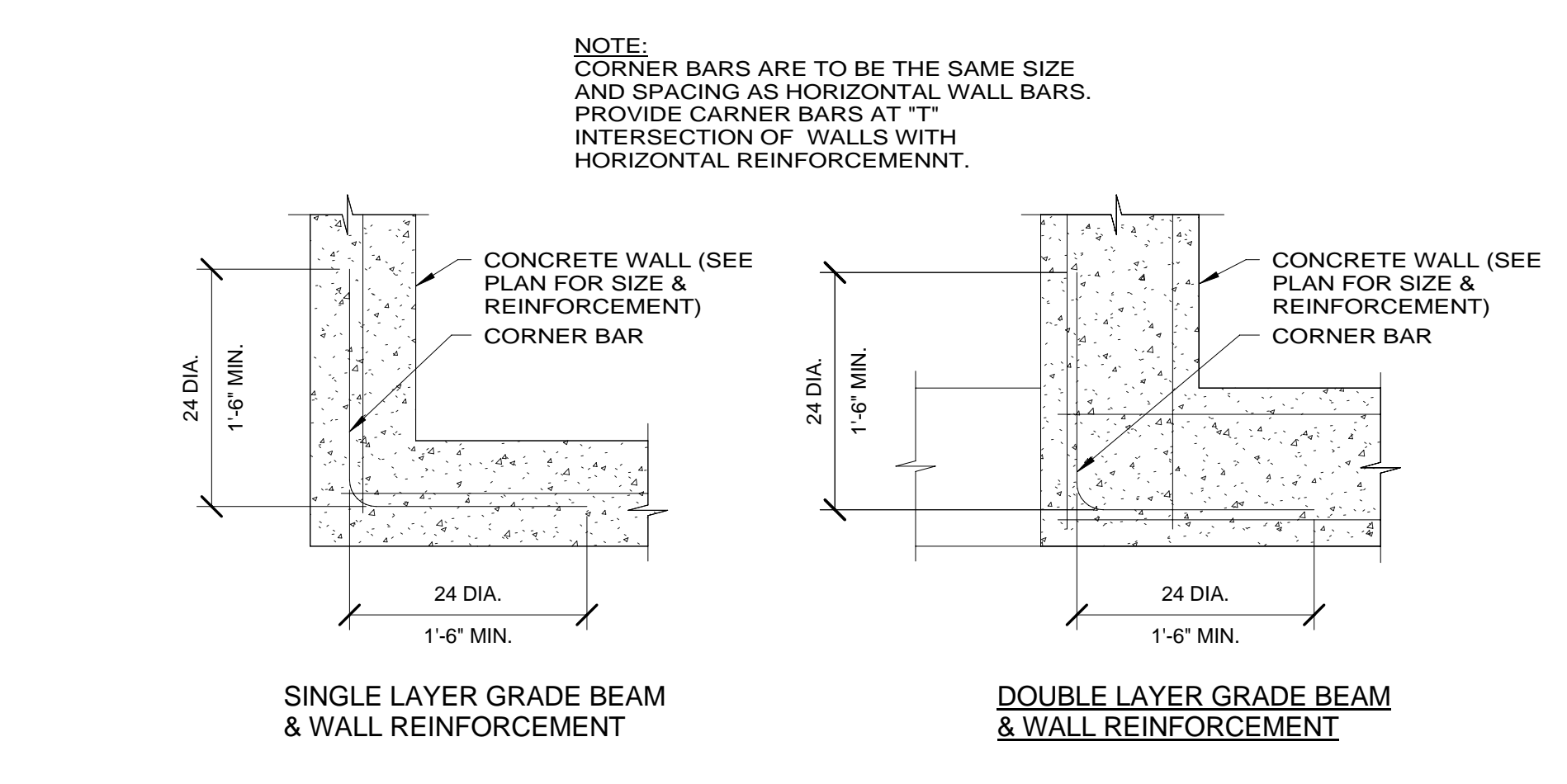
13 SLAB ON GRADE STEP-DOWN  
1" = 1'-0"



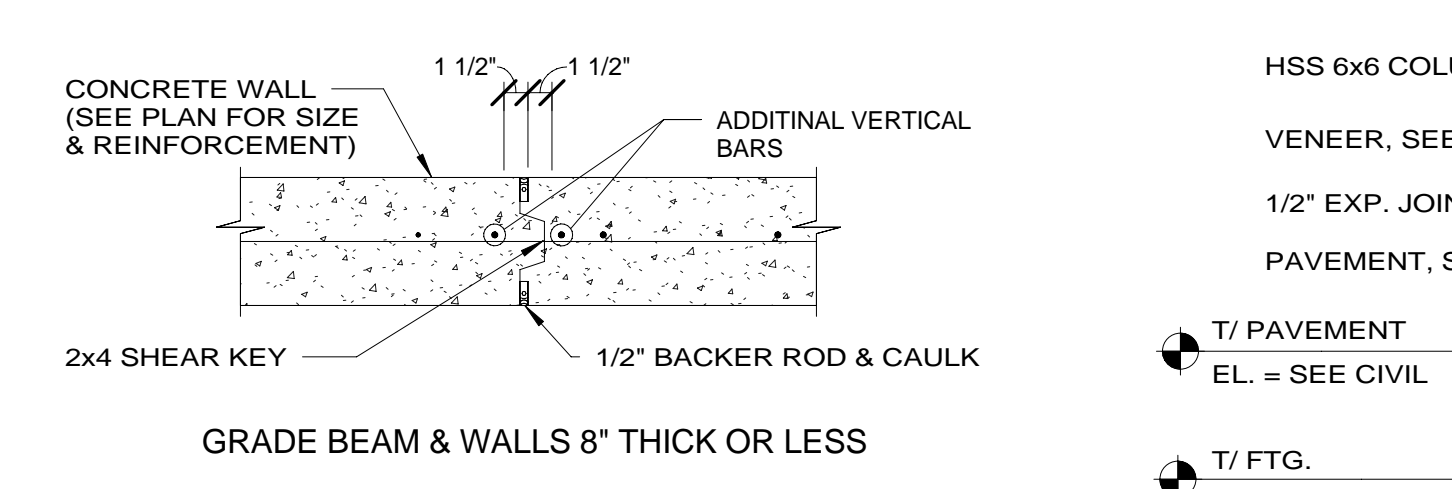
12 SECTION THROUGH BAPTISTAL FONT  
1" = 1'-0"



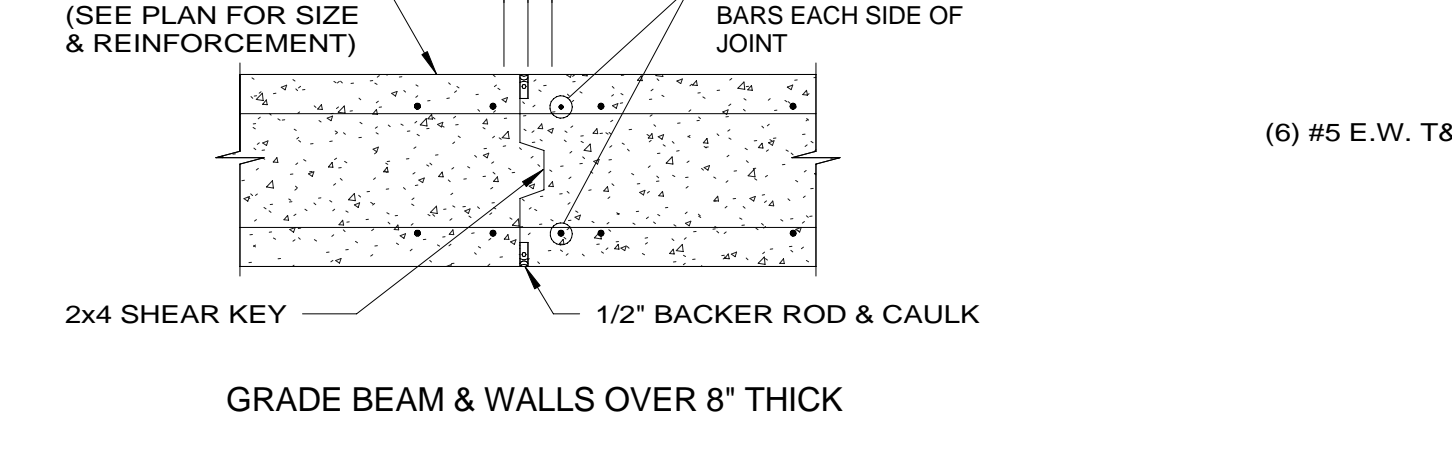
11 NEW TO EXISTING FOOTING DETAIL  
1" = 1'-0"



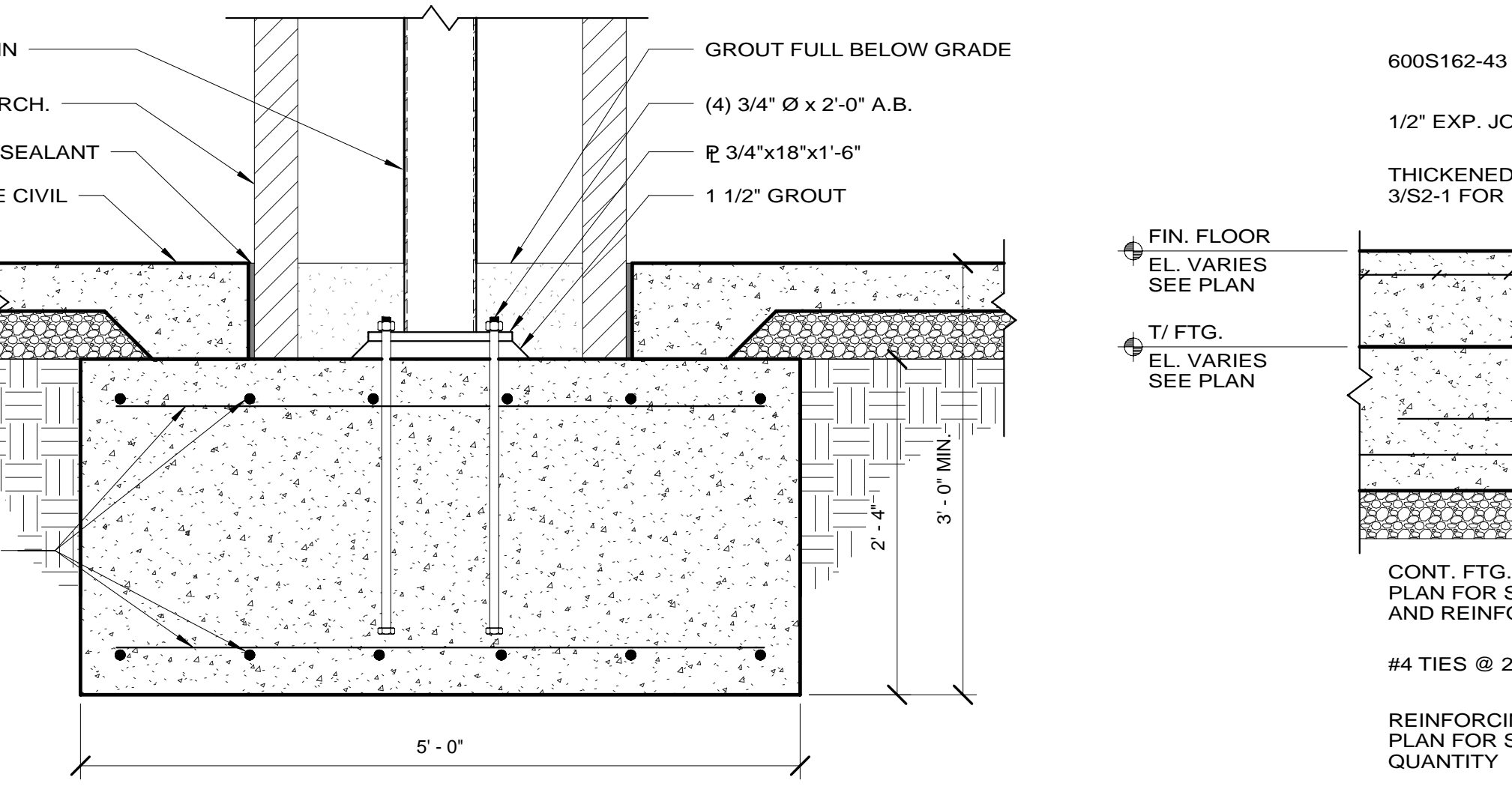
10 TYPICAL GRADE BEAM AND WALL CORNER REINFORCEMENT DETAIL  
1" = 1'-0"



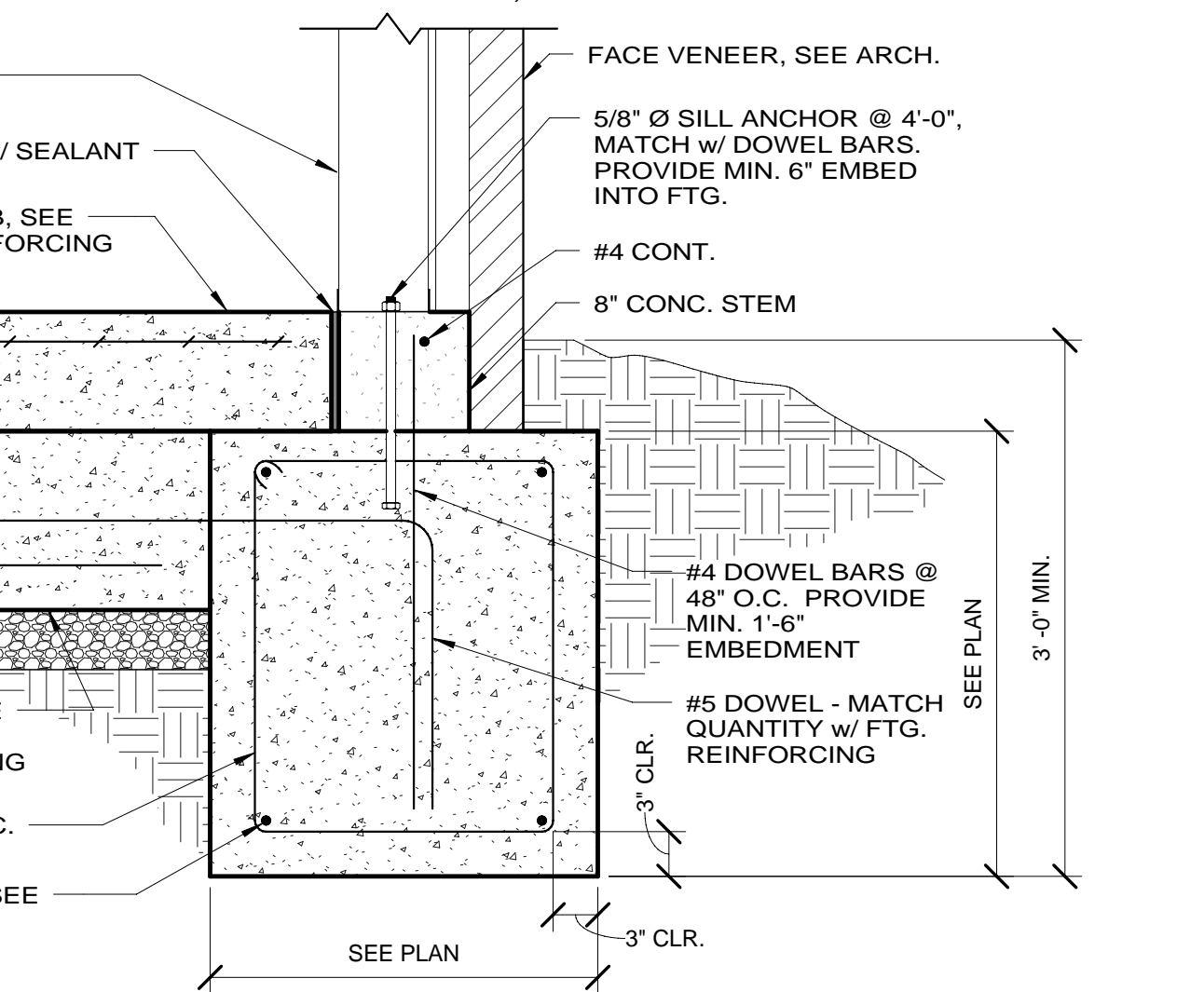
9 CONCRETE GRADE BEAM & WALL CONSTRUCTION JOINT DETAIL  
1" = 1'-0"



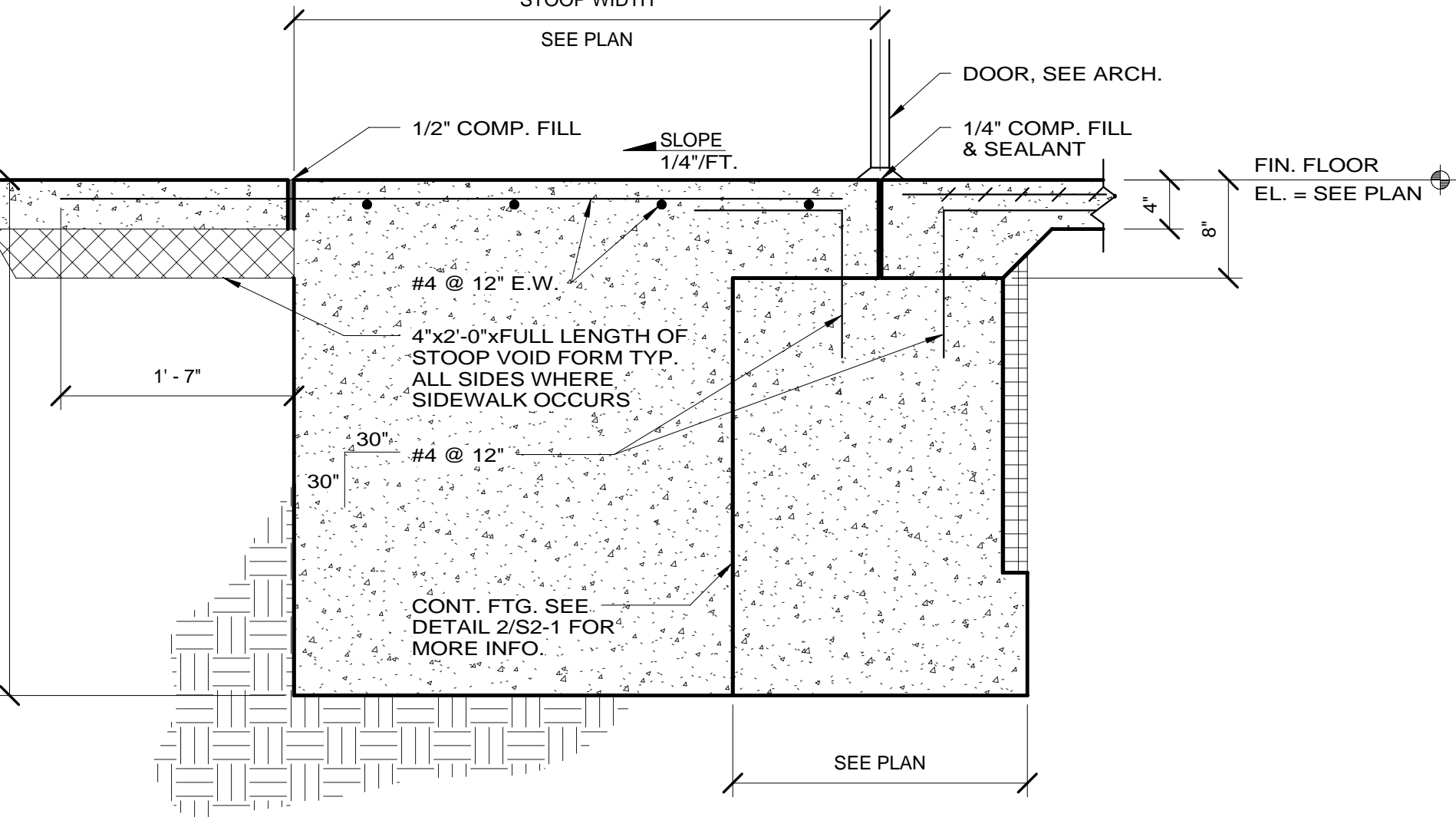
8 CANOPY FOOTING DETAIL  
1" = 1'-0"



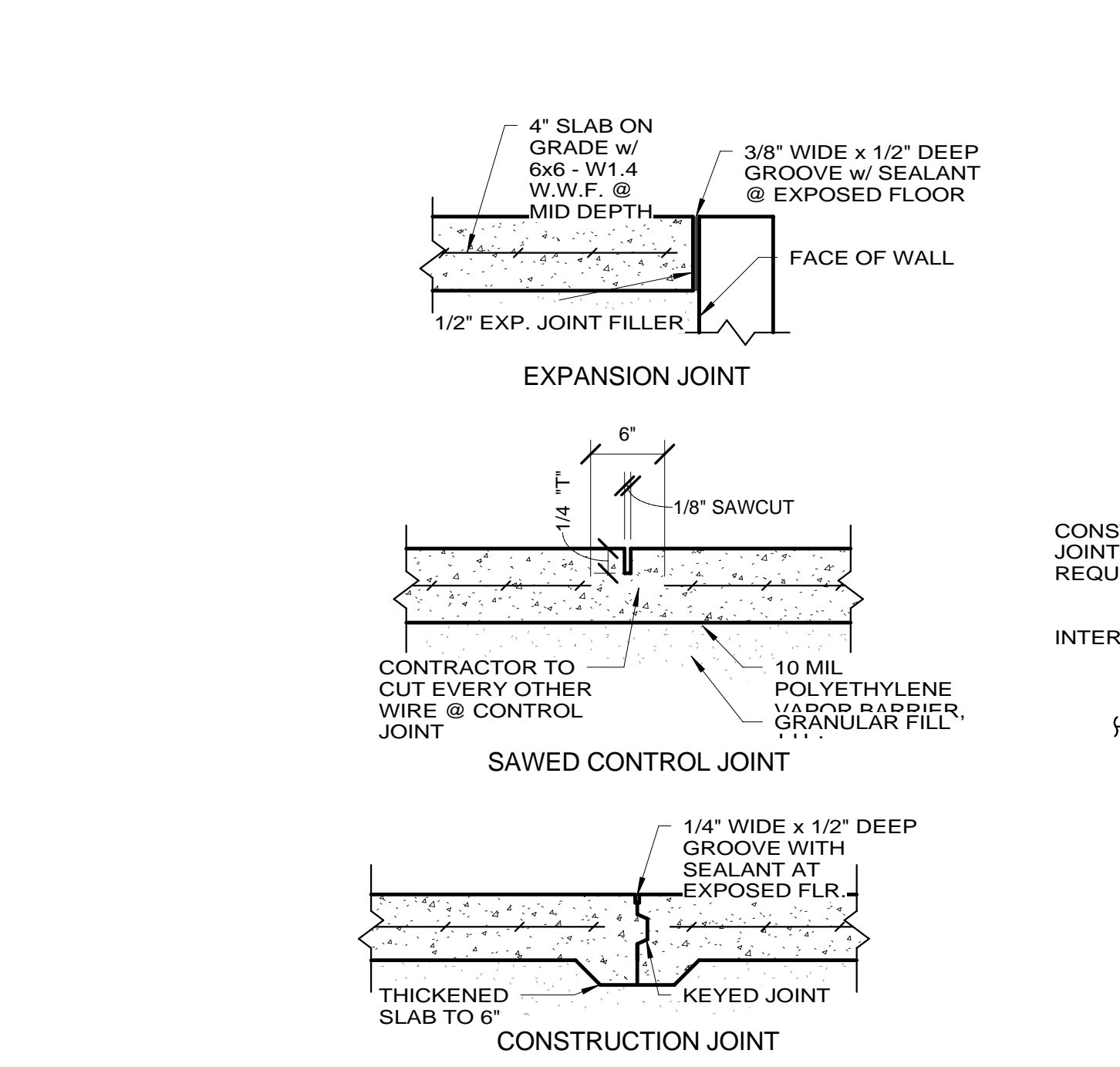
7 INTERIOR TO EXTERIOR FOOTING DETAIL  
1" = 1'-0"



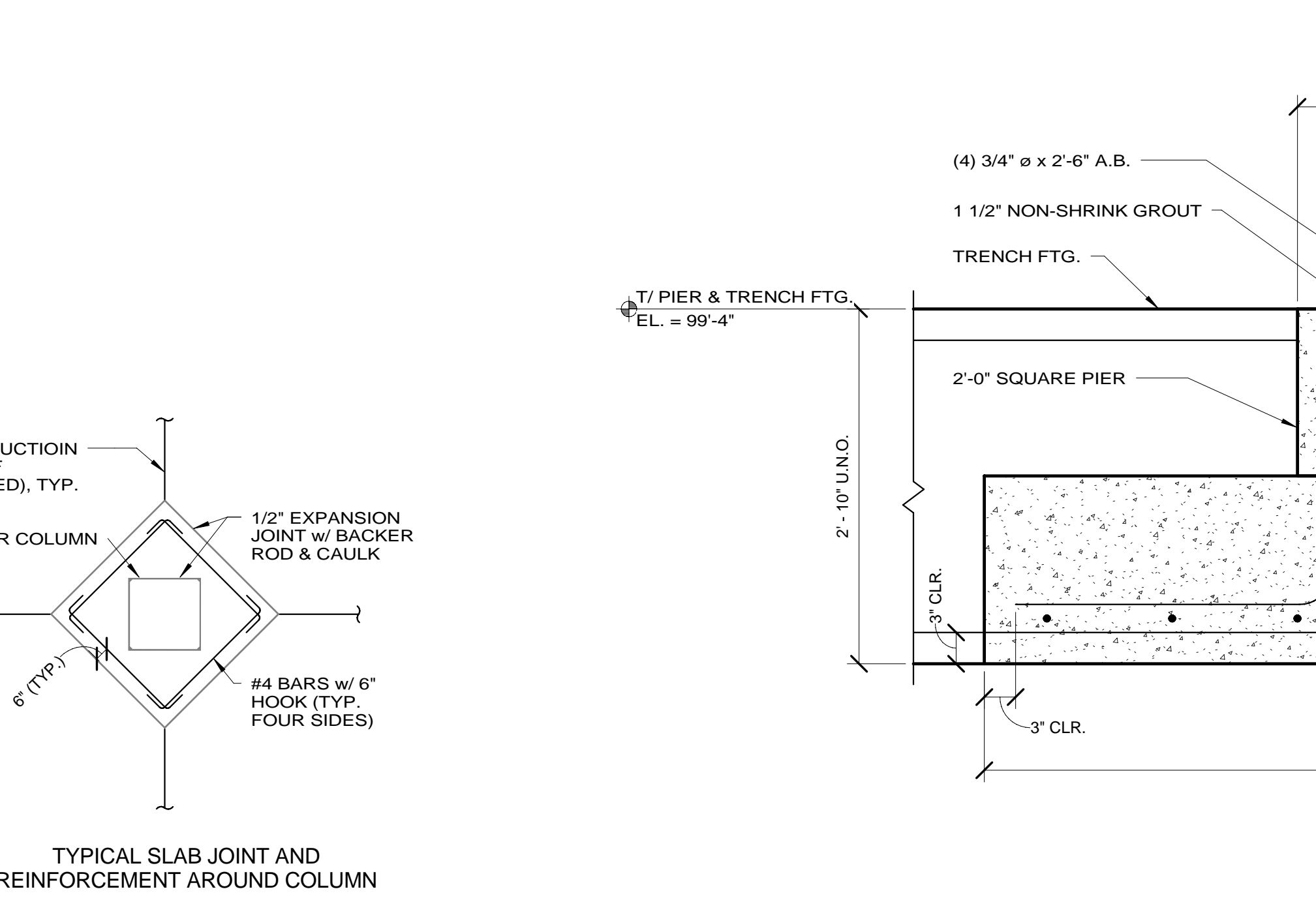
6 TYP. STOOP DETAIL  
1" = 1'-0"



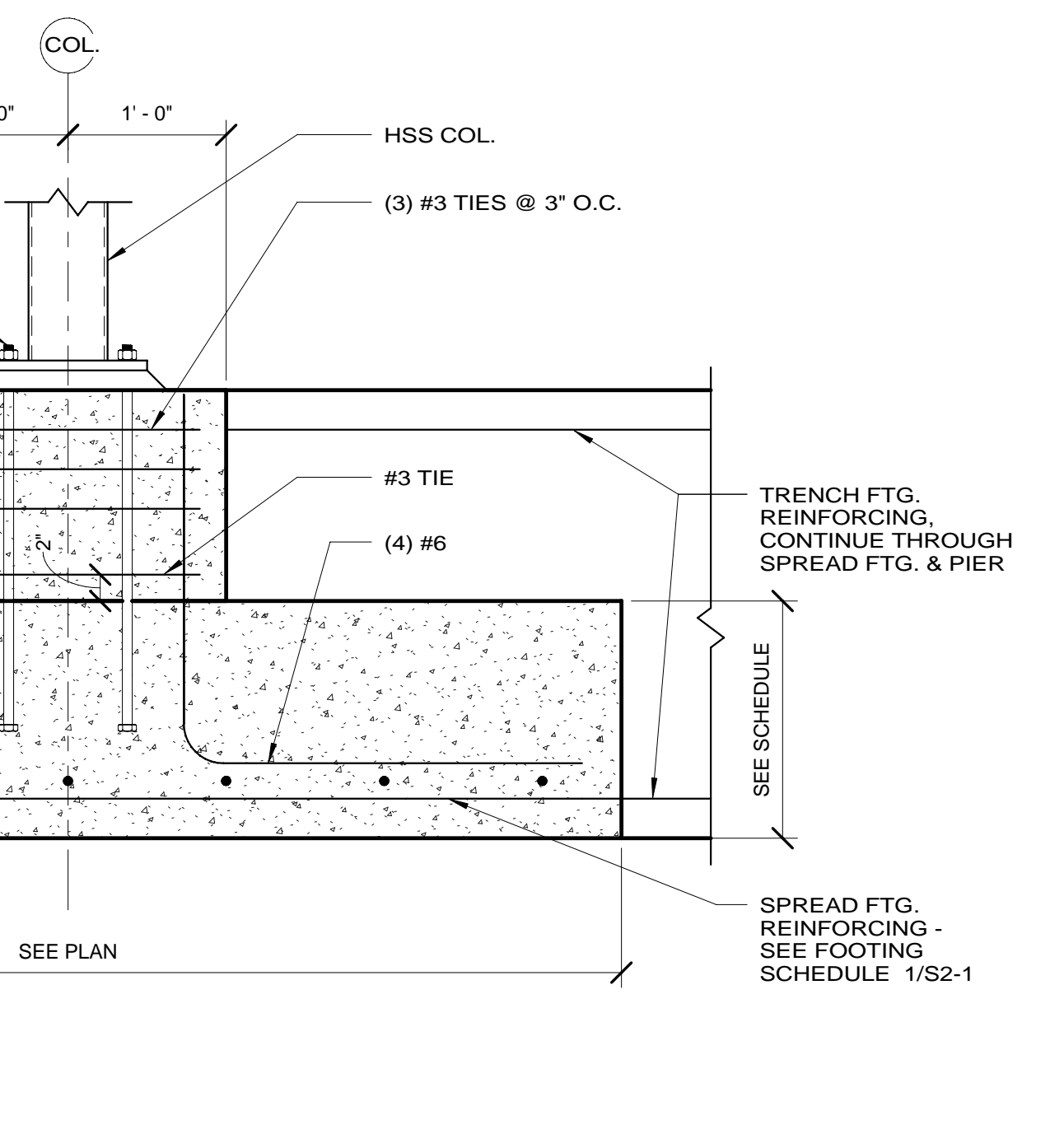
5 SLAB ON GRADE DETAILS  
1" = 1'-0"



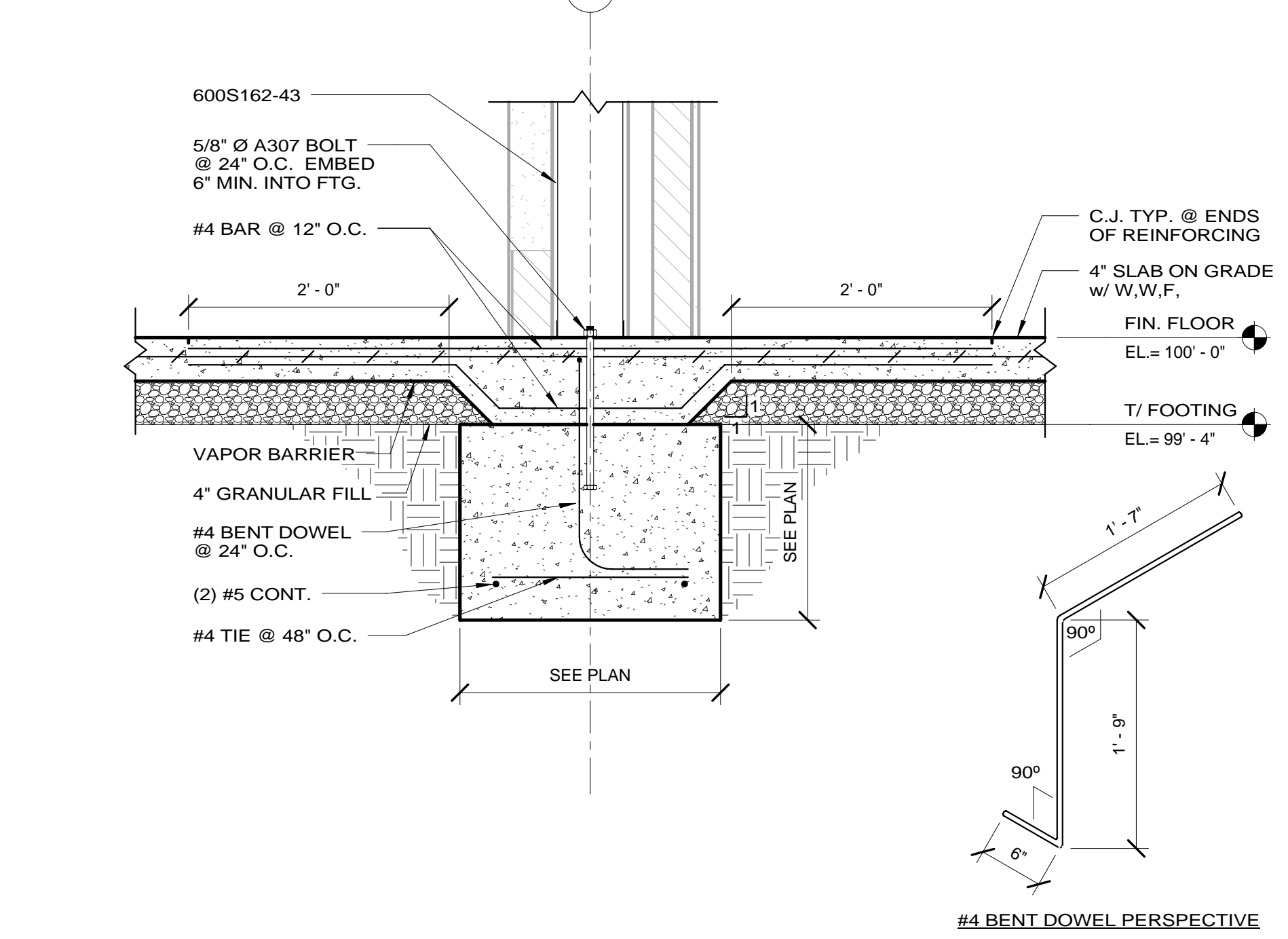
4 TYPICAL SPREAD FOOTING DETAIL @ TRENCH FOOTING  
1" = 1'-0"



3 TYPICAL SPREAD FOOTING DETAIL  
1" = 1'-0"



2 PERIMETER TRENCH FOOTING DETAIL  
1" = 1'-0"



1 TYPICAL SPREAD FOOTING DETAIL  
1" = 1'-0"

